
Table of Contents

What is an ENERGY STAR, Printer ?	F-1
Safety Information	F-2
CE Marking (Declaration of Conformity)	F-6
Welcome	F-8
Trademark Acknowledgments.....	F-8

1 Quick Guide PagePro 18

1.1	STEP 1: Unpacking the Printer	1-1
1.2	Reference 1: Printer Parts	1-3
1.3	Reference 2: Control Panel	1-4
1.4	STEP 2: Attaching the Face-Down Tray and Tray 1	1-5
1.5	STEP 3: Loading Paper.....	1-7
1.6	STEP 4: Connecting the Power Cord	1-8
1.7	STEP 5: Turning the Power On/Off	1-9
	Turning the power ON.....	1-9
	Turning the power OFF	1-9
1.8	STEP 6: Printing a Configuration Page.....	1-10
	Sample	1-10
1.9	STEP 7: Connecting the Printer to the Computer (Local Connection)1-11	
1.10	STEP 8: Installing the Printer Driver	1-12
	Windows 95/98/NT4.0 – Installing from CD-ROM.....	1-12
	Windows 3.1 – Installing from the CD-ROM	1-13
	MS-DOS – Installing DOS Printing Utilities	1-14
1.11	Reference 3: Troubleshooting	1-15
	Clearing a Paper Misfeed – Outside the Printer.....	1-15
	Clearing a Paper Misfeed – Inside the Printer	1-16
	Solving Print Quality Problems.....	1-16
	No output.....	1-16

2 Introduction

2.1	Features	2-1
2.2	Printer Parts and Accessories	2-1
2.3	Control Panel.....	2-4
	Indicator Lights.....	2-4

Control Panel Button	2-6
----------------------------	-----

3 Setting-up

3.1 Installation Precautions	3-1
Selecting a Location for the Printer	3-1
Power Source	3-2
Grounding	3-2
Space Requirements	3-3
3.2 Operational Precautions	3-4
Operating Environment	3-4
Printer	3-4
Printer Supplies	3-6
3.3 Setting-up	3-7
Installing the Face-Down Tray	3-7
Installing Tray 1	3-8
Connecting the Power Cord	3-9
Loading Paper	3-10
Turning On the Printer	3-12
Testing the Printer	3-13
Sample Configuration Page	3-14
Connecting to a Computer	3-15
3.4 Options	3-16
SIMM (Single In-line Memory Module)	3-16
Installing the Optional SIMM	3-17
Duplex Unit	3-20
Installing the Duplex Unit	3-21
Printer Configuration	3-22
Second/Third Paper Cassette Unit	3-23
Installing the Optional Second/Third Paper Cassette Unit	3-24
Printer Configuration	3-26
Adobe PostScript ROM-SIMM	3-27
Installing the Optional Adobe PostScript ROM-SIMM	3-27
Printer Configuration	3-30
Network Interface Card (NIC)	3-31
Installing the Optional Network Interface Card	3-32
Printer Configuration	3-34

4 Using the Printer

4.1 Paper	4-1
Type	4-1
Size	4-2
Envelopes and custom sizes (Tray 1 and Manual Feed Tray)	4-2

4.2	Loading Paper	4-4
	Loading Paper onto Tray 1.....	4-5
	Loading Paper onto Tray 2/Tray 3	4-7
	Manual Paper Feed.....	4-10
4.3	Printing on Envelopes	4-12
4.4	Duplex Printing.....	4-14
	Paper Type.....	4-15
	Paper Size.....	4-15

5 Printer Driver

5.1	System Requirements	5-1
5.2	Installing the Printer Driver Under Windows 95/98.....	5-2
	To Install the Printer Driver Using the Installer (Auto Run)	5-2
	To Uninstall the Printer Driver	5-5
5.3	Installing the Printer Driver Under Windows NT 4.05-8	
	To Install the Printer Driver Using the Installer (Auto Run)	5-8
	To Uninstall the Printer Driver	5-13
5.4	Installing the Printer Driver Under Windows 3.1.....	5-15
	To Install the Printer Driver	5-15
	To Uninstall the Printer Driver	5-17
5.5	Displaying the Driver Setup Dialog (Windows 95/98/NT 4.0)5-19	
	To Display the Driver Setup Dialog Under Windows 95/98.....	5-19
	To Display the Driver Setup Dialog Under Windows NT 4.0.....	5-21
5.6	Using the Printer Driver Under Windows 95/98/NT 4.05-23	
	Paper.....	5-24
	Page Layout.....	5-29
	To Add a Watermark.....	5-31
	To Remove a Watermark from the List	5-32
	To Edit a Watermark	5-32
	Quality	5-34
	Graphics (pop-up dialog).....	5-37
	Device Option.....	5-38
	About.....	5-38
5.7	Displaying the Driver Setup Dialog (Windows 3.1)5-39	
5.8	Using the Printer Driver Under Windows 3.1.....	5-40
	Settings	5-41
	Options.....	5-43

5.9	DOS Printing Utilities	5-45
	Installing the Printer Driver Under DOS.....	5-45
	Loading and Unloading the Status Display.....	5-45
	To Load the Status Display From the DOS Prompt.....	5-46
	To Remove the Status Display From Memory.....	5-46
5.10	Accessing the Printer Control Panel	5-47
	To Access the Printer Control Panel	5-47
	To Exit the Printer Control Panel	5-47
5.11	Using the Printer Control Panel	5-48
	Getting Around in the Printer Control Panel	5-48
	To Print a Test Page or Demo Page	5-48
	To Register Installed Options	5-48
	Printer Control Panel Screens	5-49
	Paper Screen.....	5-49
	Font Selection Screen	5-51
	Output Quality Screen	5-52
	Counter Screen	5-53
	Configuration Screen.....	5-54
	Printer Setting Screen	5-55
5.12	Using the Status Display	5-56
	To Display the Status Display.....	5-56
	Status Display Screen	5-57

6 Printer Status Display and Control Panel

6.1	Using the Printer Status Display	6-1
	Opening the Printer Status Display	6-1
	Using the Printer Status Display	6-2
	Switching Between the Expanded and Reduced Views	6-2
	On-line Help.....	6-2
6.2	Using the Control Panel.....	6-3
	Paper	6-4
	Printer Setting.....	6-6
	Test Print	6-7
	Counter.....	6-8
	Configuration	6-9

7 Maintenance

7.1	Replacing the Imaging Cartridge	7-1
	To Replace the Imaging Cartridge.....	7-2
7.2	Cleaning the Printer	7-6
	Cleaning the Outside of the Printer	7-6
	Cleaning the Paper Transport Roller	7-7

8 Troubleshooting

8.1	Clearing a Paper Misfeed	8-1
	Inside the Printer	8-1
	Paper Output Misfeed	8-4
	Paper Input Misfeed (from Tray 1)	8-4
	Paper Input Misfeed (from Manual Feed Tray)	8-5
	Paper Input Misfeed (from Second/Third Paper Cassette Unit)	8-5
	Paper Misfeed in the Duplex Unit	8-6
8.2	Print Quality Problems	8-7
	Blank pages	8-7
	Black pages	8-7
	Printout too light	8-8
	Printout too dark	8-8
	Blurred background	8-8
	Uneven print density	8-9
	Irregularities	8-9
	White or black line	8-9
	Toner smudges	8-10
	No output	8-10

9 Specifications

9.1	PagePro 18 Printer	9-1
9.2	Second Paper Cassette Unit (Option)	9-2
9.3	Third Paper Cassette Unit (Option)	9-3
9.4	Duplex Unit (Option)	9-3
9.5	Interface Connector and Cable	9-4
9.6	SIMM (Option)	9-4

10 General Information

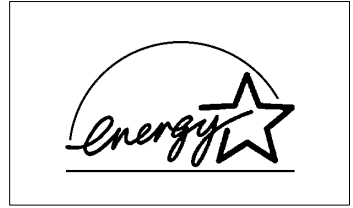
10.1	END USER LICENSE AGREEMENT	10-1
10.2	Contrat utilisateur de la licence	10-4
10.3	ENDVERBRAUCHER-LIZENZVERTRAG	10-7
10.4	CONTRATTO DI LICENZA D'USO	10-10
10.5	Addresses MINOLTA-Partners in Europe	10-13
10.6	MINOLTA GUARANTEE CERTIFICATE	10-16

11 Glossary

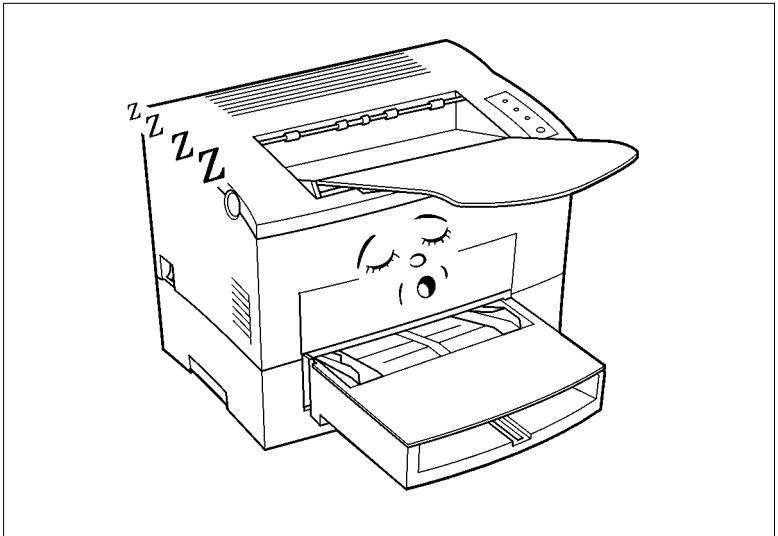
12 Index



As an ENERGY STAR® Partner, we have determined that this machine meets the ENERGY STAR® Guidelines for energy efficiency.



What is an ENERGY STAR® Printer ?



ENERGY STAR® printers have a feature that allows them to automatically “go to sleep” after a period of inactivity. This auto-feature can reduce a machine’s annual electricity cost by 60 percent.

Safety Information

- **Laser Safety**

This is a page printer which operates by means of a laser. There is no possibility of danger from the laser, provided the printer is operated according to the instructions in this manual.

Since radiation emitted by the laser is completely confined within protective housing, the laser beam cannot escape from the machine during any phase of user operation.
- **Internal Laser Radiation**

Maximum Radiation Power : 1.03 (mW) at laser aperture of the print head unit
- **Wavelength: 770-810 (nm)**

This product employs Class IIIb Laser Diode.
Laser Diode and Scanning Polygon Mirror are incorporated in the print head unit.

The print head unit is NOT A FIELD SERVICE ITEM.
Therefore, the print head unit should not be opened under any circumstance.
- **Laser Safety**

This printer is certified as a Class 1 Laser product under the U.S. Department of Health and Human Services (DHHS) Radiation Performance Standard according to the Radiation Control for Health and Safety Act of 1968. This means that the printer does not produce hazardous laser radiation.

CDRH Regulations

The Center for Devices and Radiological Health (CDRH) of the U.S. Food and Drug Administration implemented regulations for laser products on August 2, 1976. Compliance is mandatory for products marketed in the United States. The label shown on the following page indicates compliance with the CDRH regulations and must be attached to laser products marketed in the United States.



WARNING

- Use of controls, adjustments or performance of procedures other than those specified in this manual may result in hazardous radiation exposure.
-

This is a semiconductor laser. The maximum power of the laser diode is 5mW and the wavelength is 770-810 nm.

For Denmark Users



ADVARSEL

- Usynlig laserstråling ved åbning, når sikkerhedsafbrydere er ude af funktion. Undgå udsættelse for stråling.
-

Klasse 1 laser produkt der opfylder IEC825 sikkerheds kravene.

For Finland, Sweden Users



VAROITUS

- Laitteen käyttäminen muulla kuin tässä käyttöohjeessa mainitulla tavalla saattaa altistaa käyttäjän turvallisuusluokan 1 ylittävälle näkymättömälle lasersäteilylle.
-



VARNING

- Om apparaten används på annat sätt än i denna bruksanvisning specificerats, kan användaren utsättas för osynlig laserstrålning som överskrider gränsen för laser klass 1.
-



VARO

- Avattaessa ja suojalukitus ohitettaessa olet alttiina näkymättömälle lasersäteilylle. Äjä katso säteeseen.
-



VARNING

- Osynlig laserstrålning när denna del är öppnad och spärren är urkopplad. Betrakta ej strålen.
-

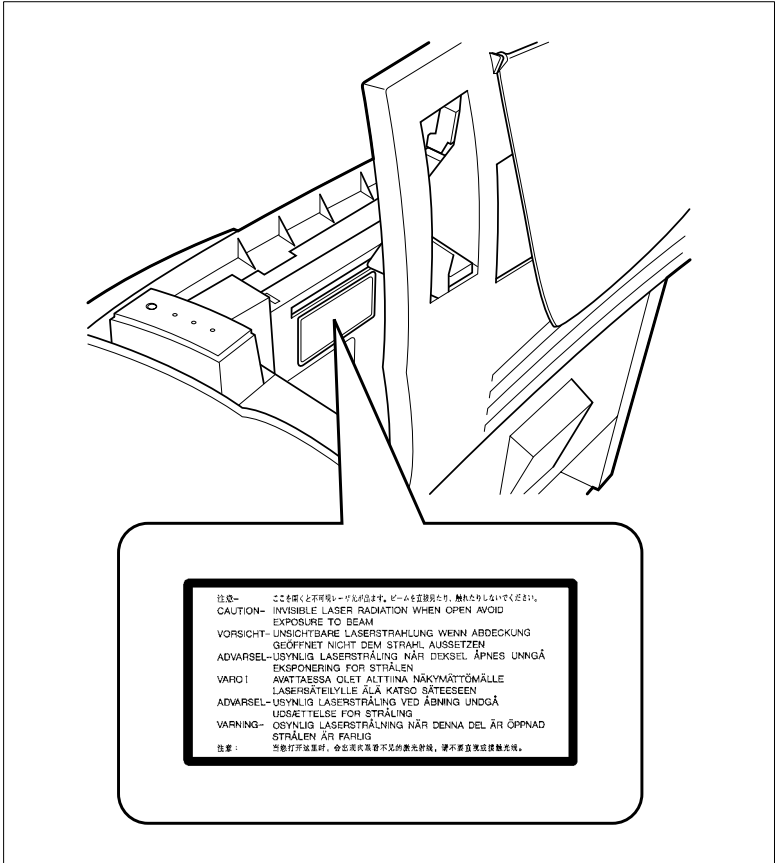
For Norway Users

ADVARSEL

- Dersom apparatet brukes på annen måte enn spesifisert i denne bruksanvisning, kan brukeren utsettes for usynlig laserstrålning som overskrider grensen for laser klasse 1.
-

Dette er en halvleder laser. Maksimal effekt til laserdiode er 5mW og bølgelengde er 770-810 nm.

WARNING LABEL



CE Marking (Declaration of Conformity)

We declare under our sole responsibility that the printer and option to which this declaration relates is in conformity with the specifications below.

This declaration is valid for the area of the European Union (EU) only.

Product Type	Laser Beam Printer
Product Name	PagePro 18
Options Accessories	Second Paper Cassette Unit (4166) Third Paper Cassette Unit (4166) Duplex Unit (4168) DRAM SIMM (Maximum 64MB) Adobe PostScript SIMM (4179-292) Network Interface Card (4179-242, 4179-252)
Standard	Safety: EN60 950/1992 (A1, A2, A3, A4, A11): :Safety of information technology equipment, including electrical business equipment EN60825-1/1994(A11) :Radiation safety of laser products, equipment classification, requirements and user's guide EMC: EN55 022(Class B)/1994 (A, A2) :Limits and method for measurement of radio disturbance characteristic of information technology equipment(ITE) EN61000-3-2(Class A)/1995 :Limits for harmonic currents emissions EN61000-3-3/1995 :Limitation of voltage fluctuations and flicker in low-voltage supply systems. EN50 082-1/1997 Generic immunity standard Part1: Residential, commercial and light industry EN61000-4-2 :Electrostatic discharge immunity test EN61000-4-3/1996, ENV50204/1995 :Radiated radio-frequency electromagnetic field immunity test EN61000-4-4/1995 :Electrical fast transient/burst immunity test EN61000-4-5/1995 :Surge immunity test EN61000-4-6/1996 :Conducted disturbances induced by radio-frequency electromagnetic field immunity test EN61000-4-8/1993 :Power-frequency magnetic field immunity test EN61000-4-11/1994 :Voltage dips, short interruption and voltage variations immunity test Notes: 1. EMC performance: This product was designed for operation in a typical office environment. 2. First year of labeling according to EC-directive 73/23/EEC and 93/68/EEC : 98
EC Directive	Safety: 73/23/EEC and 93/68/EEC EMC: 89/336/EEC and 93/68/EEC

Welcome

And thank you for selecting a Minolta PagePro 18 Printer!

This *User's Manual* explains the functions of the printer and how it operates. It also provides you with troubleshooting tips as well as general precautions you should observe when operating the printer. To ensure the top performance and effective use of your printer, read this manual carefully from cover to cover, and keep it at hand for later reference.

No part of this document may be reproduced, transmitted, transcribed, stored in a retrieval system, or translated into other languages without the express written prior consent of Minolta Co., Ltd.

The contents of this manual are subject to change without notice.

Trademark Acknowledgments

PCL is a registered trademark of Hewlett-Packard Company.

Centronics is a registered trademark of Centronics Inc.

MS-DOS, Microsoft, Windows, and Windows NT are registered trademarks of Microsoft Corporation.

IBM is a registered trademark of International Business Machines Corporation.

Adobe and PostScript are registered trademarks of Adobe Systems, Inc.

PagePro is a trademark of Minolta in Europe, Japan and Asia.

Fine-ART and Fine Micro Toning are trademarks of Minolta Co., Ltd.

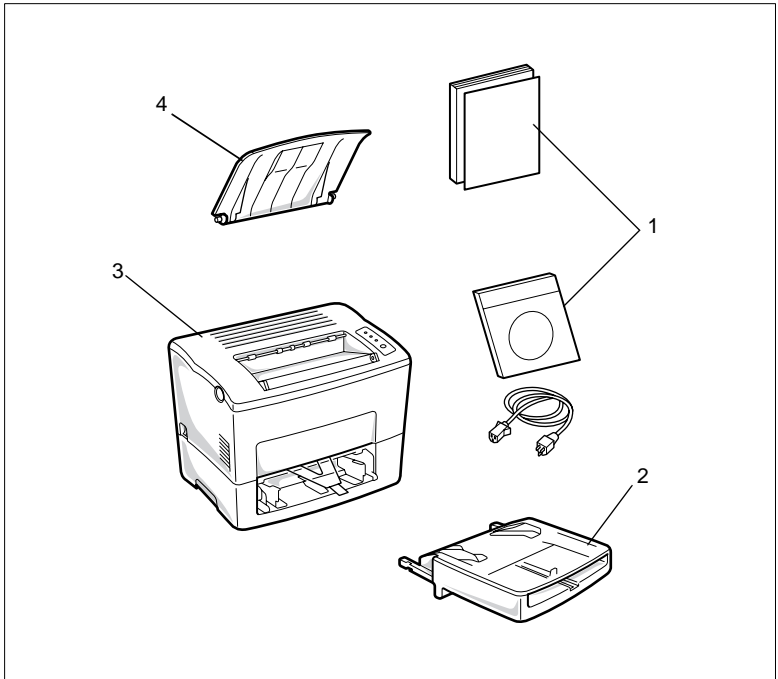
All other brand or product names are trademarks or registered trademarks of their respective companies or organizations.

1 Quick Guide PagePro 18

1.1 STEP 1: Unpacking the Printer

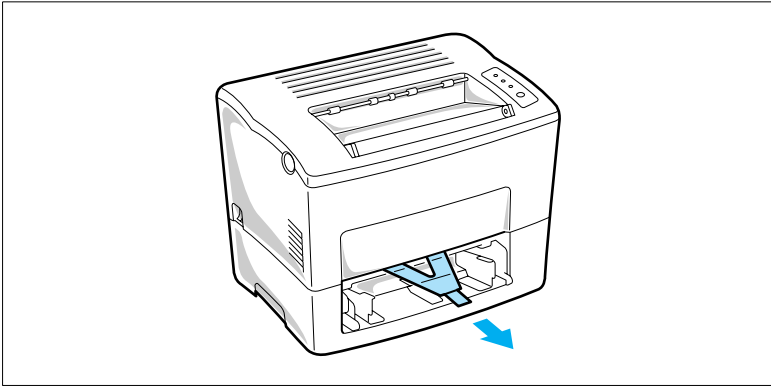
Before operating your printer, read the Set-Up Instructions carefully from cover to cover. Use this guide for reference

- 1 Take the items and accessories shown below out of the carton.

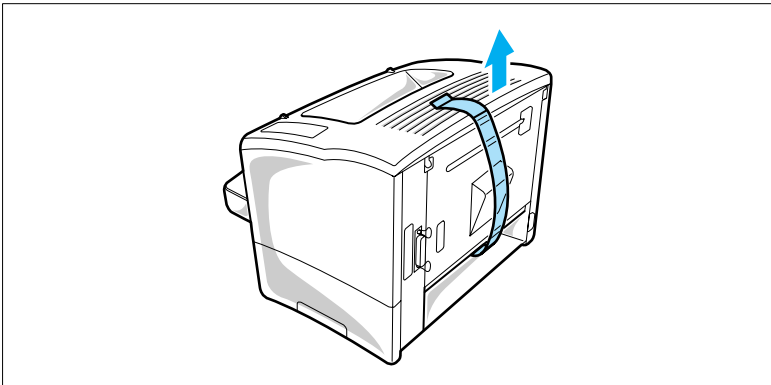


Pos.	Name	Pos.	Name
1	Accessories <ul style="list-style-type: none"> • User Kit including CD-ROM • Power cord 	2	Tray 2
		3	Printer
		4	Face-down tray

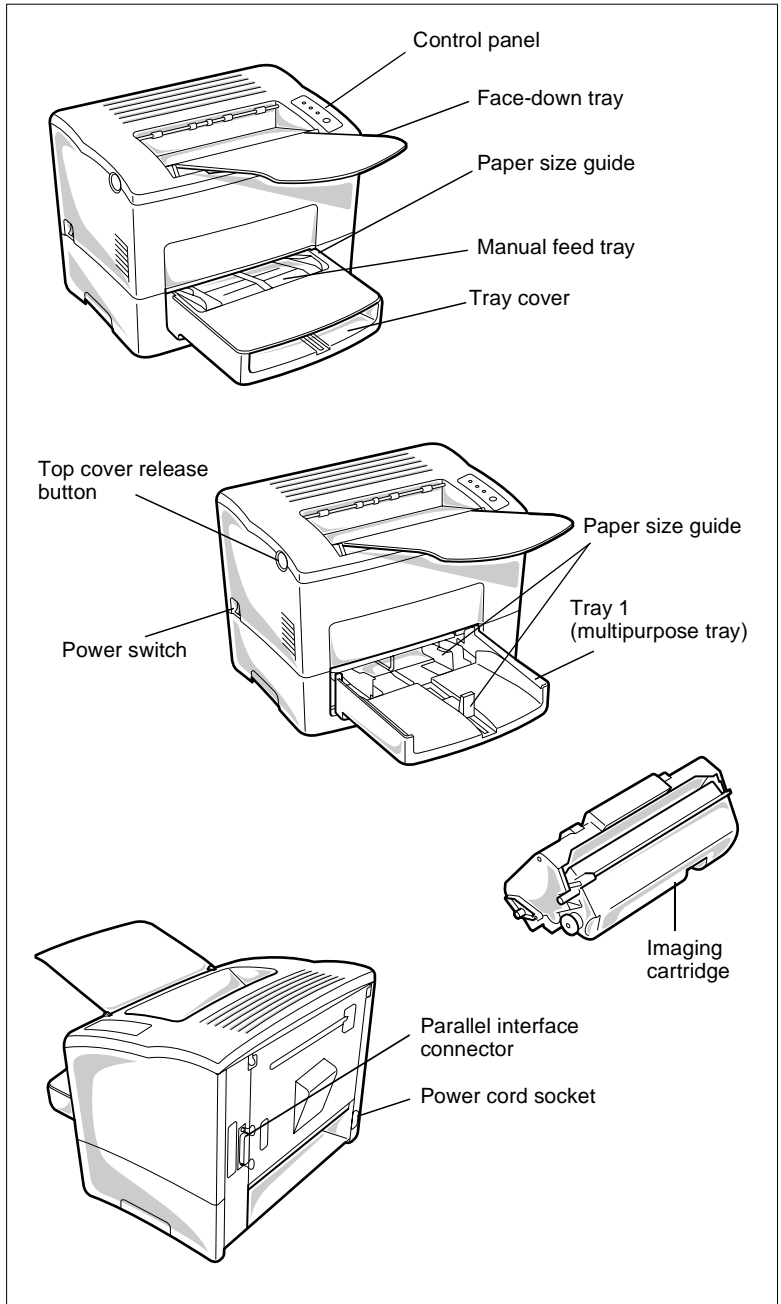
- 2 Remove the plastic bag and peel off the shipping tape from the printer.
- 3 Pull out the plastic-lead strip from the paper feed inlet.



- 4 Remove the tape strip from the back of the printer.

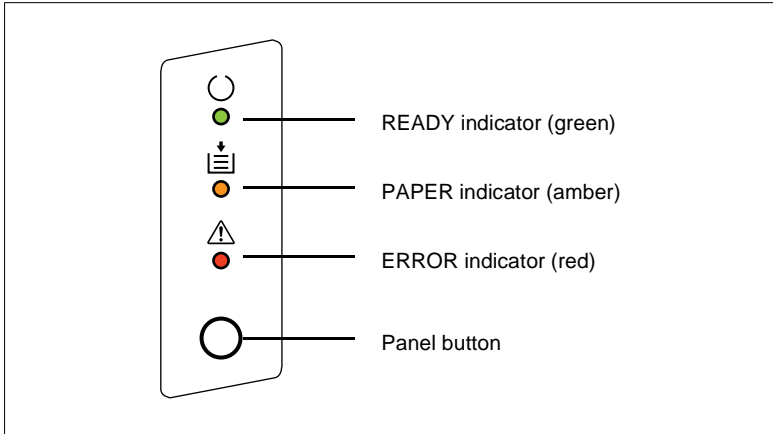


1.2 Reference 1: Printer Parts



1.3 Reference 2: Control Panel

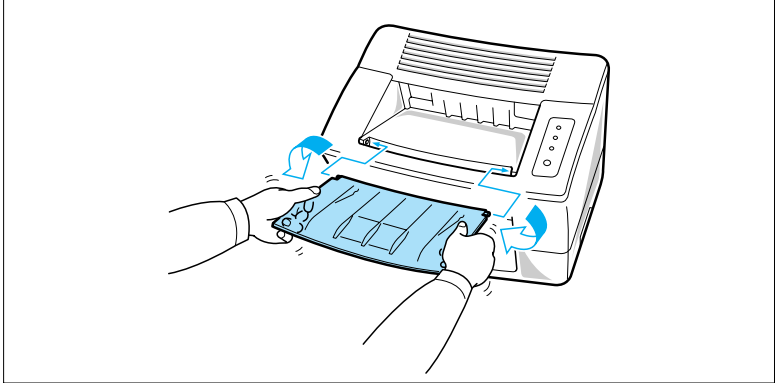
The control panel has three indicator lights and one button



	Printer is ready.		Receiving data via parallel interface; printing in progress.		Power is off.
	The printer is waiting for paper to be loaded manually.		(Slow blinking) Power save mode.		Out of paper. Load more paper to continue printing.
	Paper misfeed. Clear the paper misfeed to continue printing.		Cover open. Close the cover.		Memory overflow/ data received cannot be processed because it is too complex.

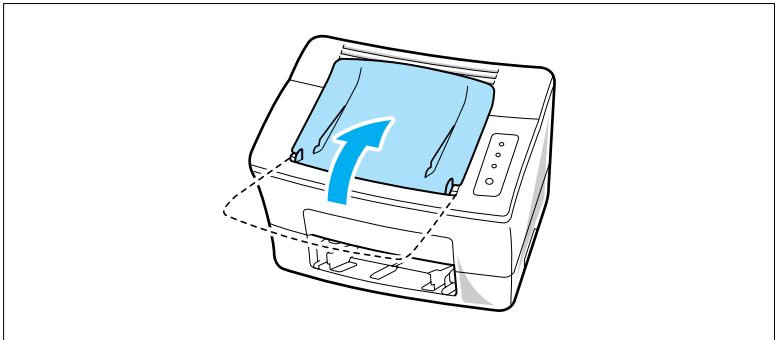
1.4 STEP 2: Attaching the Face-Down Tray and Tray 1

- 1 With both hands, gently bend the face-down tray inwards and insert one of its tabs into its holder on the upper portion of the printer. Continue to bend the face-down tray so that it curves enough for the second tab to fit into its holder and release the tray into position.

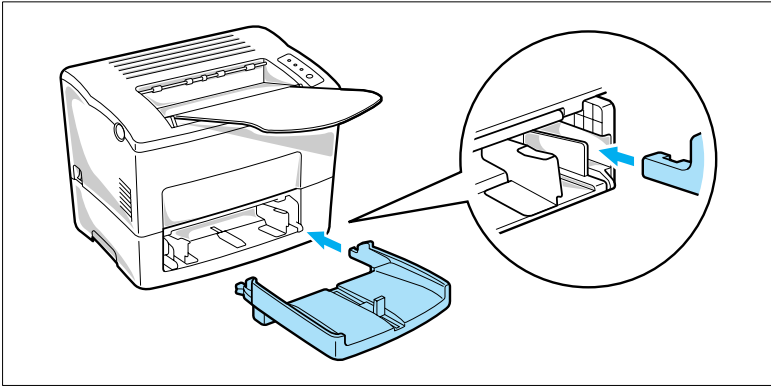


NOTE

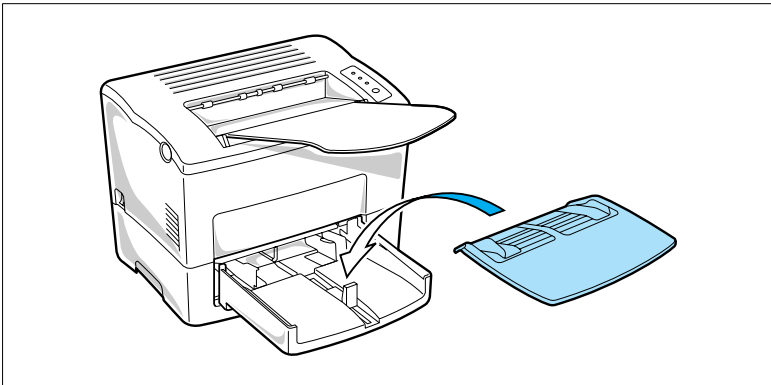
- Be sure to close the face-down tray before opening the top cover to prevent injuries.



-
- 2 Using the left and right slots in the printer as guides, gently push Tray 1 until it cannot be inserted any further (as shown in the illustration).

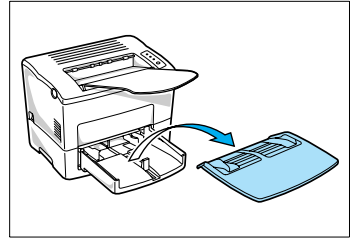


-
-
- 3 Attach the tray cover onto Tray 1.

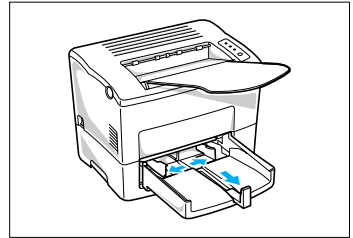


1.5 STEP 3: Loading Paper

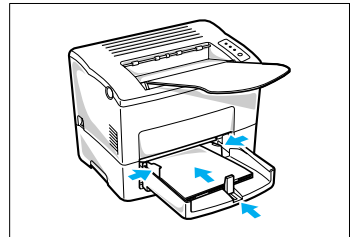
- 1 Remove the tray cover from Tray 1.



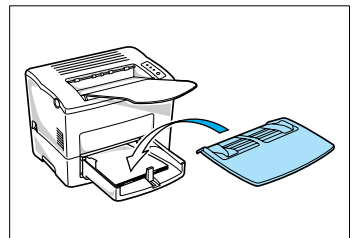
- 2 Open all three paper size guides.



- 3 Place the paper stack onto the tray, print-side up. Secure the stack by adjusting the paper size guides.

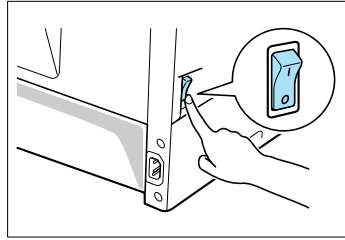


- 4 Replace the tray cover onto Tray 1.

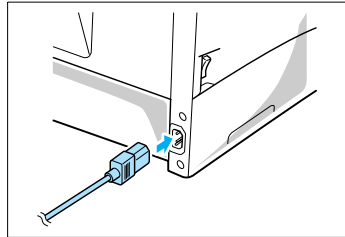


1.6 STEP 4: Connecting the Power Cord

- 1 Make sure that the printer's power switch is in the O (Off) position.



- 2 Connect one end of the power cord that comes with the printer to the power cord socket. Plug the other end into a power outlet.

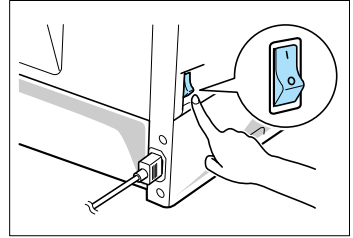


1.7 STEP 5: Turning the Power On/Off

Turning the power ON

After connecting the printer to a power outlet, press the power switch to the I (On) position.

Turning on the printer causes all the indicators on the control panel to light, which indicates that the printer is warming up. In about 23 seconds only the READY indicator remains lit, indicating that the printer is ready to print.



Turning the power OFF

Press the power switch to the O (Off) position to turn the printer off.



NOTE

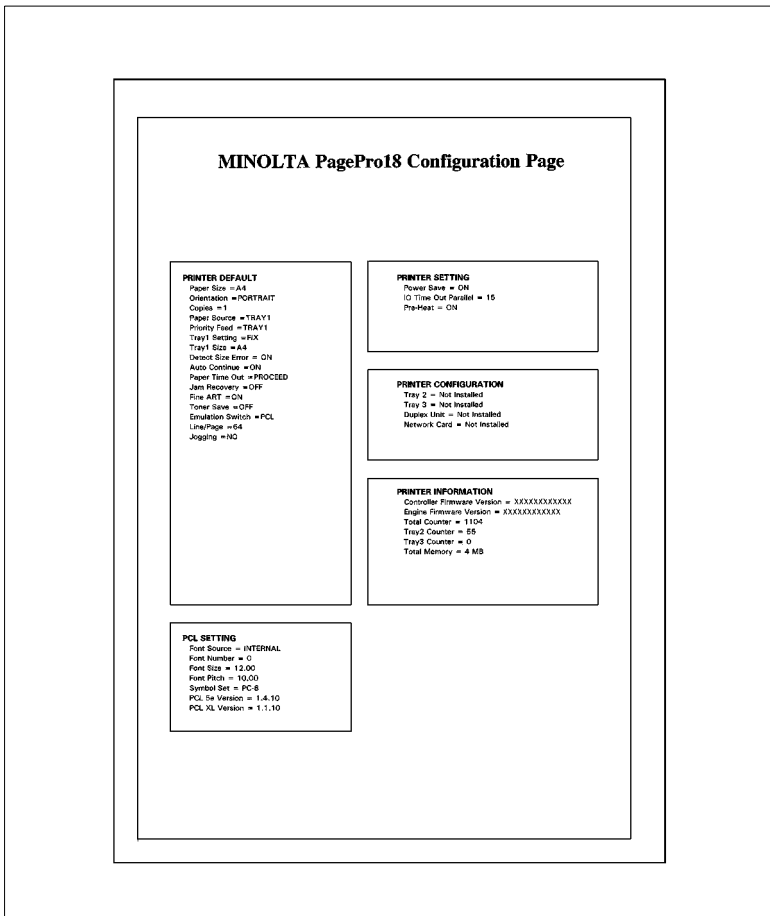
DO NOT turn the power OFF while:

- printing
 - the printer is receiving the data from the computer (the indicator on the control panel is blinking)
-

1.8 STEP 6: Printing a Configuration Page

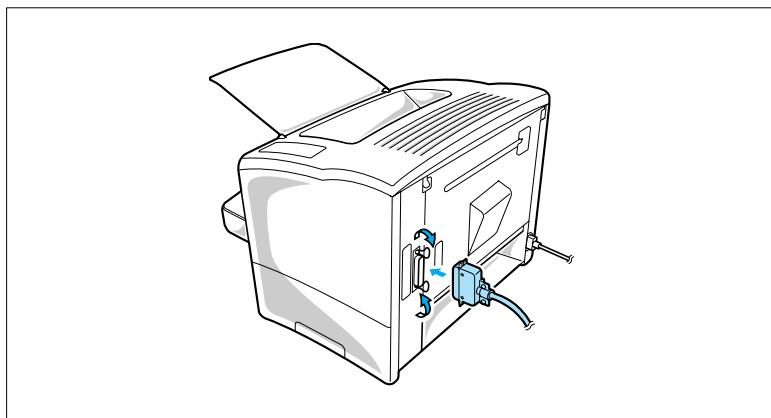
- 1 Turn the printer on.
- 2 Make sure that paper is loaded into the printer's feeding tray.
- 3 Make sure that both the Paper and Error indicators are off, and the Ready indicator is on.
- 4 Briefly press the panel button to start printing the Configuration Page.

Sample



1.9 STEP 7: Connecting the Printer to the Computer (Local Connection)

- 1 Make sure that the printer and the computer you are connecting it to are both turned off.
- 2 Connect one end of the interface cable to the parallel port of the computer.
- 3 Connect the other end of the cable to the parallel connector on the back of the printer. Secure the cable using the two clips on the parallel connector.



1.10 STEP 8: Installing the Printer Driver

Install the printer driver to control the printer from your computer. You can install the printer driver for Windows 95, Windows 98, Windows NT 4.0, Windows 3.1 or MS-DOS from the Printer Driver CD-ROM. Follow the instructions below and for more details, see the User's Manual.

Windows 95/98/NT4.0 – Installing from CD-ROM

- 1 Turn on your computer and start up Windows 95, Windows 98 or Windows NT4.0.
- 2 Insert the Printer Driver CD-ROM into your computer's CD-ROM drive. In this example, we will assume that D: is the name of the CD-ROM drive.
- 3 Open the Windows Explorer, browse to the CD-ROM drive and navigate to: D:\DRIVER\WIN95NT\GB.
- 4 Double-click Setup.exe.



NOTE

- The printer driver must be installed using the CD-ROM's Setup.exe. Do not use the Add Printer wizard from the Printers folder. Installation through the Add Printer wizard will prevent the printer from performing properly.
 - Do not check Jogging Tray when it appears in the installation dialog for registering additional options. This printer does not support jogging tray compatibility.
-

After installing the printer driver, the Minolta PageWorks/Pro 18 printer icon appears in the Printers folder.

Windows 3.1 – Installing from the CD-ROM

- 1 Turn on your computer and start up Windows 3.1.
- 2 Insert the Printer Driver CD-ROM into your computer's CD-ROM drive. In this example, we will assume that D: is the name of the CD-ROM drive.
- 3 Double-click the Control Panel icon which is located in the Main group within the Program MANAGER.
- 4 In the control panel dialog, double-click printers to display the Printers dialog box and then click the [Add>>] button to display the list of printers.
- 5 Select Install Unlisted or Updated Printer and click the [Install...] button.
- 6 In the Install Driver dialog box, click the [Browse...] button.
- 7 Browse to the CD-ROM drive and navigate to:
D:\DRIVER\WIN311\GB
- 8 Click [OK] in the Install Driver dialog box.
- 9 From the List of Printers box, select Minolta PageWorks/Pro 18, and then click [OK] to start installation and return to the Printers dialog box.



NOTE

- An error message may appear during installation of the printer driver informing you that a required UNIDRV.DLL file cannot be found.
 - Should this occur, install a UniTool Driver such as HP LaserJet from the List of Printers box in the Printers dialog. After installing the UniTool Driver, reinstall the driver for the PageWorks/Pro 18.
-

- 10 Click the Set As Default Printer button so that this printer is selected whenever you begin using your Windows software.
- 11 Click [Close] to finish the installation procedure.

MS-DOS – Installing DOS Printing Utilities

- 1 Connect your printer to the parallel port of your computer.
- 2 Turn on your computer and start up DOS.
- 3 Turn on your printer and make sure it is online.
- 4 Insert the Printer Driver CD-ROM into your computer's CD-ROM drive. In this example, we will assume that D: is the name of the CD-ROM drive.
- 5 Enter the name that has been designated to your CD-ROM drive. For example, if your CD-ROM is designated as "drive D", enter:

```
C:\>D:
```

- 6 Specify the directory under which the DOS printing utility is located:

```
D:\>CD DRIVER\DOSUTLTY\GB
```

- 7 Type install and press the [Enter] key.

```
D:\DRIVER\DOSUTLTY\GB>INSTALL
```

- 8 The installer will automatically execute and the following message will be displayed:

```
SETUP WILL INSTALL DOS UTILITY IN THE FOLLOWING DIRECTORY.
```

```
C:\PP18
```

1. TO INSTALL TO THIS DIRECTORY.
2. TO INSTALL TO A DIFFERENT DIRECTORY.
3. EXIT SETUP.

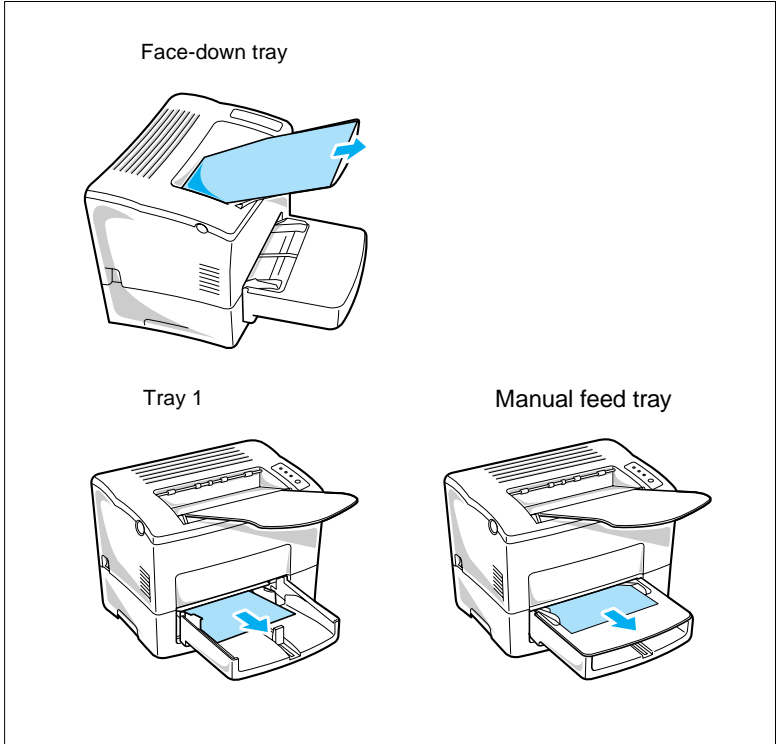
```
ENTER A CHOICE : 1
```

Select item 1 under Enter a choice to install the utility into the recommended directory or item 2 to install it into a different directory.

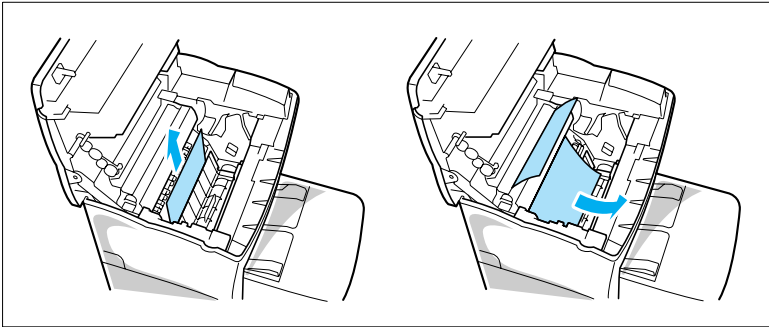
1.11 Reference 3: Troubleshooting

Clearing a Paper Misfeed – Outside the Printer

Remove the misfed sheet of paper by pulling it in the direction indicated by the arrow.



Clearing a Paper Misfeed – Inside the Printer



CAUTION

- The fusing unit inside the printer can become very hot during operation.
Do not touch the area to avoid injury.
- Do not touch the image transfer roller.

Solving Print Quality Problems

- Remove the imaging cartridge and gently shake it a few times to distribute remaining toner.
- Remove the imaging cartridge and check it for damage. Replace the imaging cartridge with a new one if necessary.
- Clean the inside of the printer. (Refer to the User's Manual.)
- Change the toner save setting of the printer driver and try to print again.

For more details, refer to the “Troubleshooting” and “Maintenance” sections of the User's Manual.

No output

- Make sure that the printer is plugged in.
- Make sure that power is turned on.
- Make sure that you are using the correct type of printer cable.
- Make sure that your computer's communication port settings are correct.

For more details, refer to the User's Manual.

2 Introduction

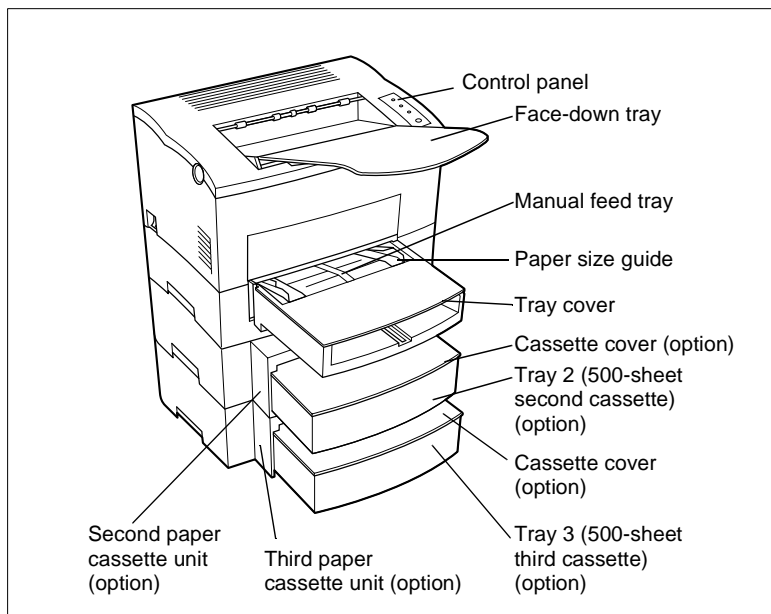
2.1 Features

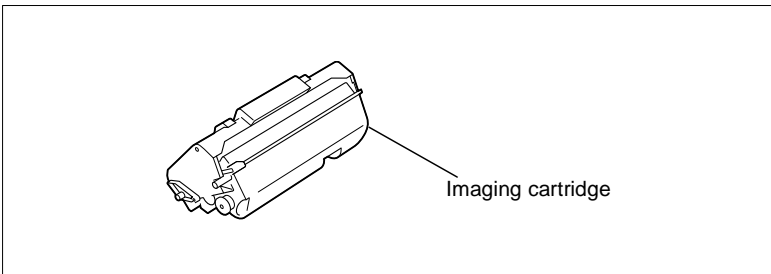
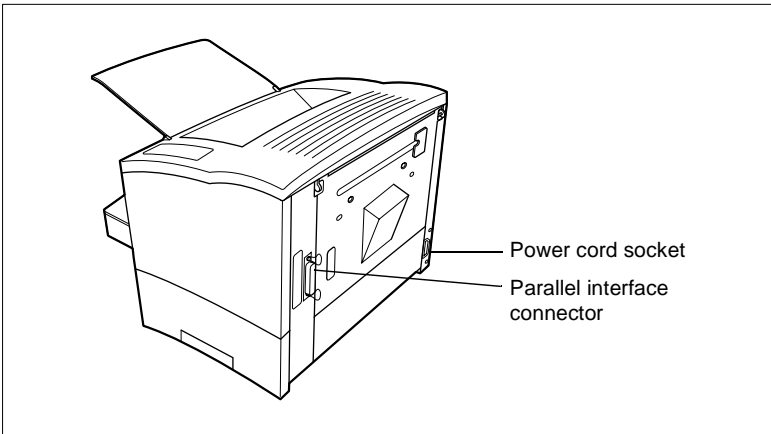
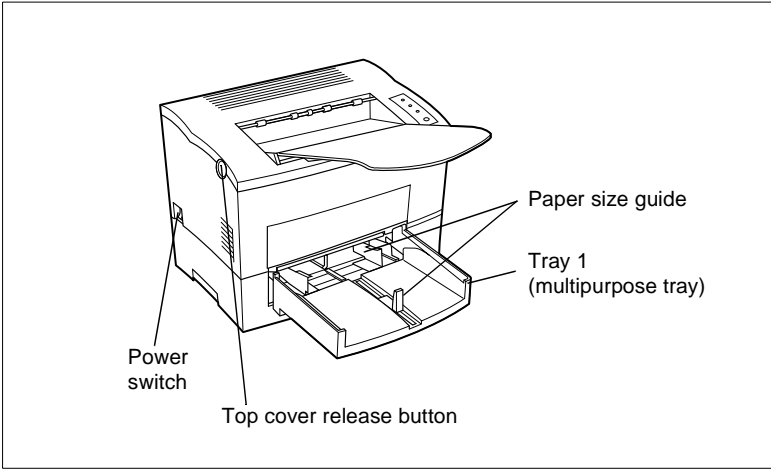
The Minolta PagePro 18 is a laser beam printer developed exclusively for use with Windows 95, Windows 98, Windows NT 4.0, Windows 3.1 and DOS operating systems.

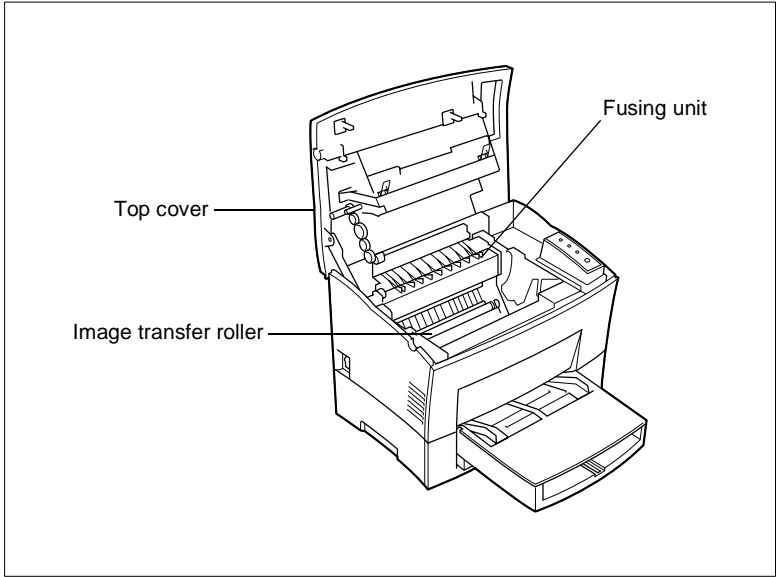
The various features listed below make the Minolta PagePro 18 the perfect printer for any size office.

- Fast 18-page per minute printing speed
- PCL 6 support for faster, more precise printing
- Supports two optional Ethernet network interface cards (10/100BaseT and 10Base2)
- Powerful 66 MHz Power PC and QuickPrint dual processors
- 4 MB of memory
- Expanded digital-documentation support through an optional Adobe PostScript 3 SIMM

2.2 Printer Parts and Accessories

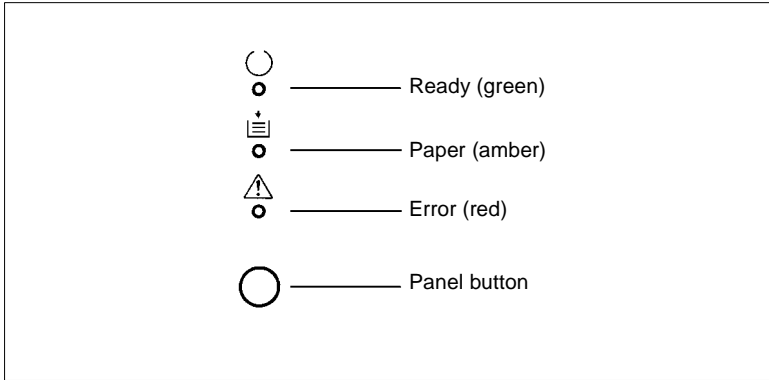






2.3 Control Panel

The control panel has three indicator lights and one button.



Indicator Lights

The three indicator lights turn on, off, or blink in combination to let you know the current status of the printer. You can find out details of the printer's status by checking the information that appears on your computer screen through the Status Monitor.

Indicator Lights			Printer Status and Recommended Action
Ready (green)	Paper (amber)	Error (red)	
On	Off	Off	Printer is ready.
Off	Off	Off	Power is off. Turn on the printer.
Blinking	Off	Off	Receiving data via parallel interface; printing in progress.
Blinking	Off	On	Receiving data via network interface.
Blinking	Blinking	Blinking	Canceling job.
Blinking	Blinking	Off	Warming up.
On	On	On	"Power on" initial setting.
Slow Blinking	Off	Off	Power save mode.
Off	On	Off	Out of paper. Load more paper to continue printing.
On	Off	On	The imaging cartridge is low on toner. Ready a new imaging cartridge, see page 7-1.

Indicator Lights			Printer Status and Recommended Action
Ready (green)	Paper (amber)	Error (red)	
On	Blinking	On	The imaging cartridge is out of toner. Replace the imaging cartridge, see page 7-1.
Off	Blinking	On	Data is currently being compressed because more data is being processed than can be managed by the amount of memory installed in your printer. You may notice a difference in image quality when compressed data is printed. Installation of additional memory will help to prevent data from being compressed.
Off	Off	Blinking	Memory overflow/data received cannot be processed because it is too complex. Install an optional expansion memory SIMM into the printer or decrease the amount of data being sent to the printer.
Off	Blinking	Blinking	The wrong size or multiple sheets of paper were fed into the printer. Load the appropriate size of paper onto the specified tray. Press the button to resume printing.
On	Blinking	Off	The printer is waiting for paper to be loaded. Load the appropriate size of paper onto one of the trays.
On	On	Off	The printer is waiting for paper to be loaded manually. Load the appropriate size of paper onto the manual feed tray and press the panel button.
Off	Off	On	Cover is open. Close the cover.
Off	Blinking	Off	Paper misfeed. Clear the paper misfeed to continue printing.
On	Blinking	Blinking	The second or third paper cassette unit is not installed. The optional NIC is not ready. Press and hold the panel button. If this message persists for an extended period, the optional NIC may be damaged or disabled. Contact your dealer.
Off	On	Blinking	Controller-memory error. Turn off the printer and contact your dealer.
On	Off	Blinking	Engine error (fusing unit). Turn off the printer and contact your dealer immediately.
On	On	Blinking	Engine error (laser). Turn the printer off and on again. If the problem persists, contact your dealer.

Indicator Lights			Printer Status and Recommended Action
Ready (green)	Paper (amber)	Error (red)	
Blinking	Off	Blinking	Engine error (polygon scanner). Turn the printer off and on again. If the problem persists, contact your dealer.
Blinking	On	Blinking	Engine error (fan motor). Turn the printer off and on again. If the problem persists, contact your dealer.
Blinking	Blinking	On	Engine error (HSYNC). Turn off the printer and contact your dealer.

Control Panel Button

Depending on the status of the printer, the control panel button performs any one of the following operations.

- **Job cancel**
Use the following procedure whenever you want to cancel the current job.
Hold down the control panel button for about five seconds.
After all the indicator lights are lit, release the control panel button to cancel the print job.
- **Print configuration page**
Use the following procedure whenever you want to print a sheet that shows the current printer settings.
Briefly press the control panel button to start printing the configuration page.
- **Form feed**
When a memory overflow occurs, press the control panel button to perform a form feed.

3 Setting-up

3.1 Installation Precautions

Note the following important precautions when selecting a location for the printer and when connecting it to a power source.

Selecting a Location for the Printer

A proper location helps to ensure that your printer provides you with the long service life for which it is designed. Double-check to make sure that the location you select has the following characteristics.

- Choose a location that is well-ventilated.
- Make sure there is no chance of ammonia or other organic gases being generated in the area.
- The power outlet you plan to connect to should be nearby and unobstructed.
- Make sure that the printer is not exposed to direct sunlight.
- Avoid areas in the direct airflow of air conditioners, heaters, or ventilators, and areas subjected to temperature and humidity extremes.
- Choose a sturdy, level surface where the printer will not be exposed to strong vibration.
- Keep the printer away from any objects that might block its heat vents.
- Do not locate the printer near curtains or other combustible objects.
- Choose an area where there is no possibility of the printer being splashed with water or other liquids.
- Make sure that the surrounding area is clean, dry, and free of dust.

Power Source

The following are the power source requirements for this printer.

- Power source: 220 - 240 V at 50 - 60 Hz
- Voltage fluctuation: Within 220 - 240 V "10%
- Frequency fluctuation: Within "0.3%



NOTE

- Use a power source with minimal voltage and frequency fluctuation.
 - Only use an outlet that is rated for the voltage capacity specified for this printer.
 - Be sure to plug the power cord all the way into the outlet. The outlet should be located near the printer and be easily accessible so you can unplug the power cord immediately if necessary.
 - Make sure the outlet you use is visible, and not hidden behind the printer or any other object.
 - If any other electrical equipment is plugged into the same outlet, make sure that the capacity of the outlet is not exceeded.
 - If you use an extension cord, make sure its capacity is greater than the power consumption of the printer. Using an extension cord with a lower capacity creates the danger of fire.
 - Never use a multiple socket to connect other appliances or machines to the same outlet being used to power the printer.
-

Grounding

Always ground the printer to guard against the danger of electrical shock. To ground the printer, connect the grounding wire to the ground terminal of the electrical outlet you are plugging into or to a grounding contact that complies with local electrical standards in your area.

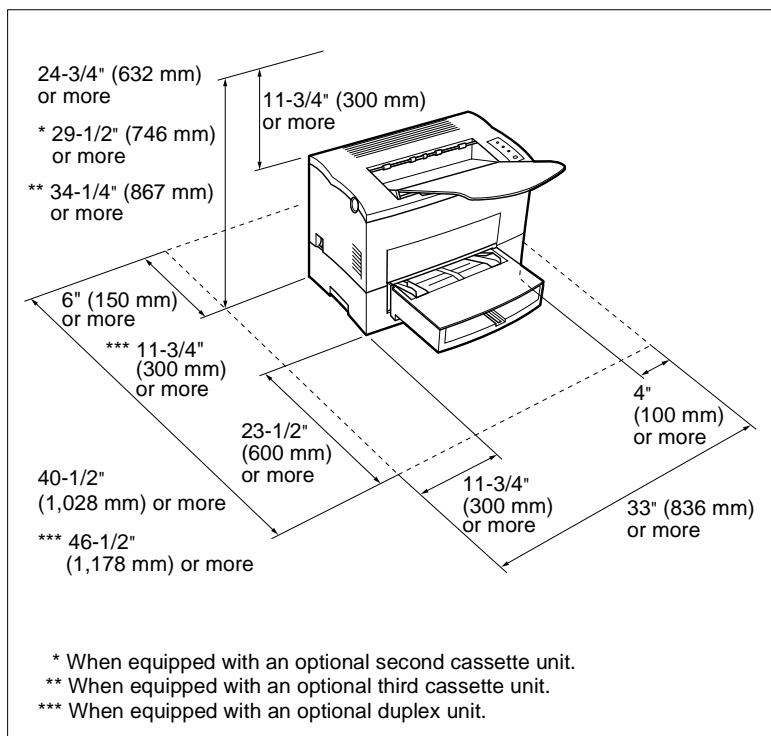


NOTE

- Never connect the grounding wire to a gas pipe, the grounding wire for a telephone, or to a water pipe.
-

Space Requirements

Be sure to provide space around the printer as indicated below, to ensure easier printer operation, paper and toner replacement, and maintenance.



3.2 Operational Precautions

Note the following important precautions whenever using the printer.

Operating Environment

The following describes the operating environment required when using the printer.

- Temperature: 10°C to 35°C (50°F to 95°F) with fluctuation of 10±C (18°F) per hour
- Humidity: 15% to 85% with fluctuation of 20% per hour

Printer

The following describes precautions for using the printer.

- Never turn the printer off or open any of its covers during a print operation.
- Never place flammable gasses, liquids or objects that generate magnetic forces near the printer.
- When unplugging the power cord, always grasp the plug and never pull on the cord. A damaged cord creates the danger of fire or electrical shock.
- Never touch the power cord when your hands are wet. Doing so creates the danger of electrical shock.
- Always unplug the power cord before moving the printer. Failure to do so can damage the power cord, creating the danger of fire or electrical shock.
- Always unplug the power cord if you do not plan to use the printer for a long time.
- Never try to remove any secured panel or cover. The interior of the printer contains high-voltage circuitry which creates the danger of electrical shock when exposed.
- Never try to modify the printer. Doing so creates the danger of fire or electrical shock.
- Never place any heavy objects on the power cord, pull on it or bend it. Doing so creates the danger of fire or electrical shock.
- Always make sure the printer is not placed on the electrical cord or the communications cables of any other electrical equipment. Also make sure that cords and cables do not get into the printer's mechanism. Any of these conditions create the danger of malfunction and fire.
- Always take care so that paper clips, staples, or other small pieces of metal do not get into the printer through its vents or other openings. Such objects create the danger of fire or electrical shock.

- Do not allow water or other liquids to spill on or near the printer. Fire or electrical shock can occur should water or liquid come into contact with the printer.
- Should liquid or any piece of metal accidentally get inside the printer, immediately turn it off, unplug the power cord, and contact your dealer. Failure to take this immediate action creates the danger of fire or electrical shock.
- Whenever the printer emits unusually high amounts of heat, smoke, an unusual odor, or noise, immediately turn it off, unplug it, and contact your dealer. Failure to take this immediate action creates the danger of fire or electrical shock.



NOTE

- Be sure to locate the printer in a well-ventilated location. A minimal amount of ozone is generated during normal operation of this printer. Because of this, an unpleasant odor may result when the printer is used for extensive printing in a poorly ventilated area. For comfortable, and safe operation, be sure to locate the printer in a well-ventilated area.
-

Printer Supplies

Note the following precautions when handling printer supplies such as the imaging cartridge, and paper.

- Avoid storing printer supplies in the following locations:
 - Areas subjected to direct sunlight. Additionally, the imaging cartridge must be protected from fluorescent light.
 - Areas exposed to open flame.
 - Areas subjected to high humidity.
 - Areas subjected to large amounts of dust.
- Keep paper that has been removed from its wrapper, but not yet loaded onto the printer tray, in a sealed plastic bag and store it in a cool, dark location.
- Only use imaging cartridges that are expressly specified for this printer.
- Keep supplies out of the reach of children.
- Should your hands become soiled with toner, immediately wash them with soap and water.



NOTE

- Whenever you remove the imaging cartridge from the printer, immediately wrap it with a cloth to protect it from overexposure to light.
-

3.3 Setting-up

See the separate Quick Guide for Installation and Reference that comes with the printer before unpacking.

Set-up the printer according to the following instructions.

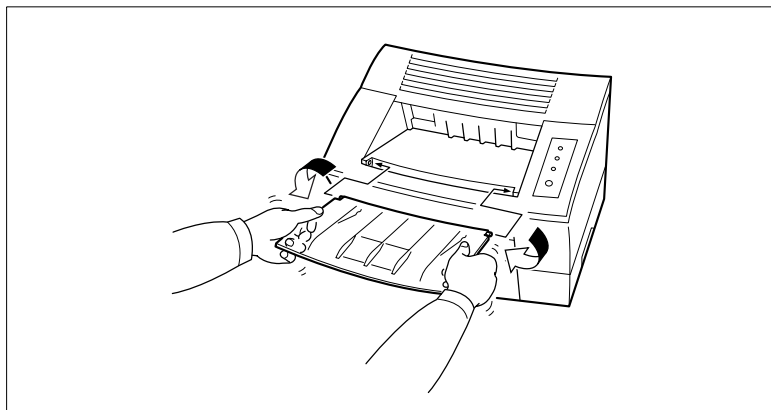


NOTE

- Always use a shielded interface cable. Use of an unshielded cable can result in radio interference with data.
 - Keep all the boxes and packing materials that the printer comes in for later use when transporting the printer.
-

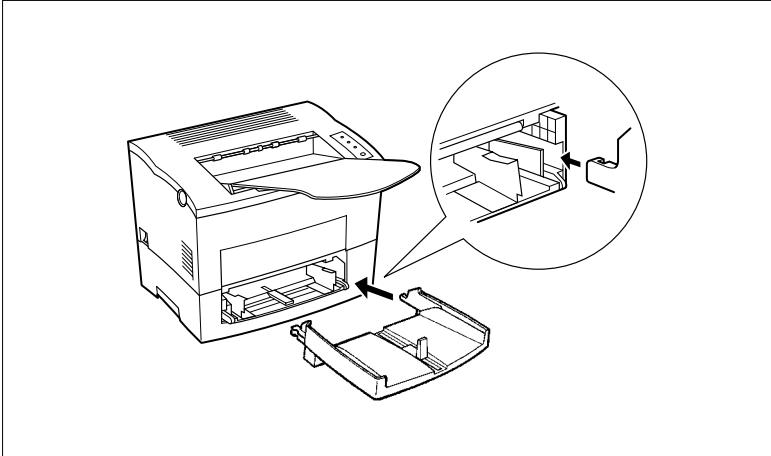
Installing the Face-Down Tray

With both hands, gently bend the face-down tray inwards and insert one of its tabs into its holder on the upper portion of the printer. Continue to bend the face-down tray so that it curves enough for the second tab to fit into its holder and release the tray into position.

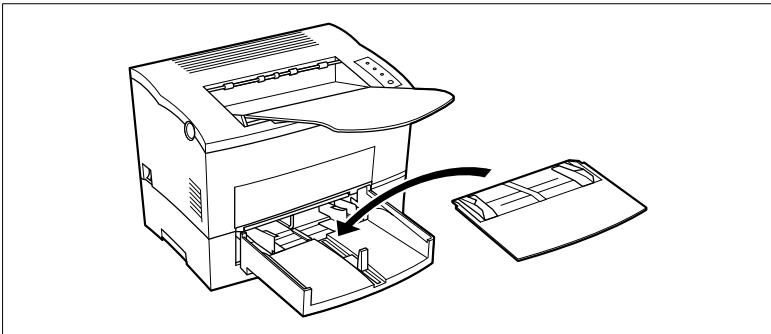


Installing Tray 1

- 1 Using the left and right slots in the printer as guides, gently push Tray 1 until it cannot be inserted any further (as shown in the illustration).

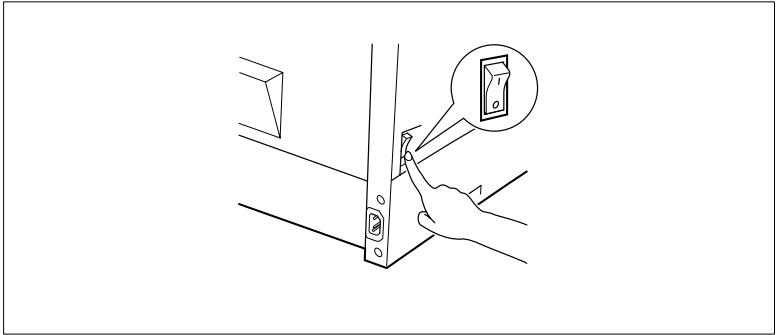


- 2 Attach the tray cover onto Tray 1.

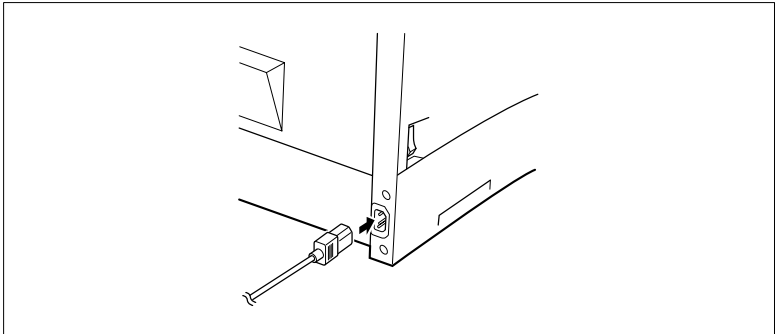


Connecting the Power Cord

- 1 Make sure that the printer's power switch is in the O (Off) position.

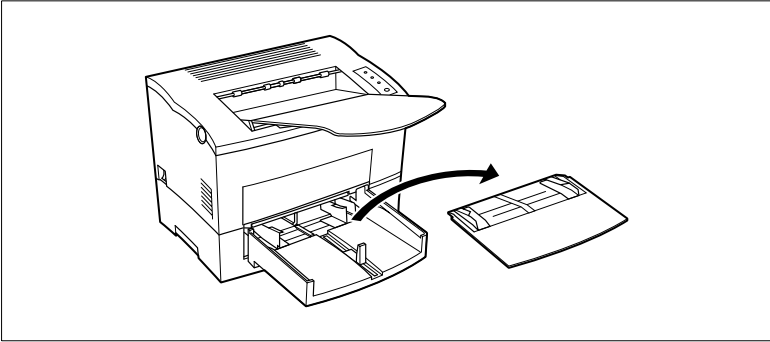


- 2 Connect one end of the power cord that comes with the printer to the power cord socket. Plug the other end into a power outlet.

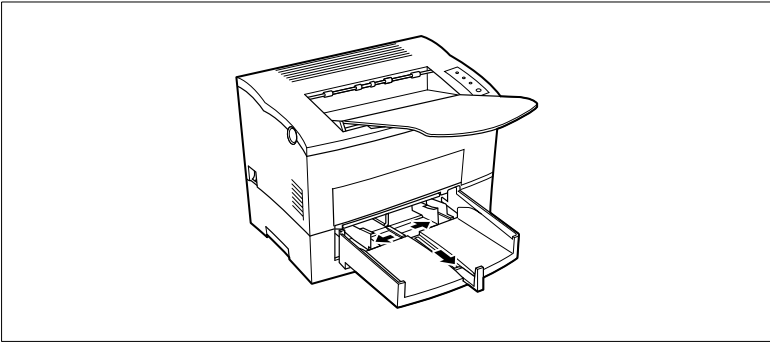


Loading Paper

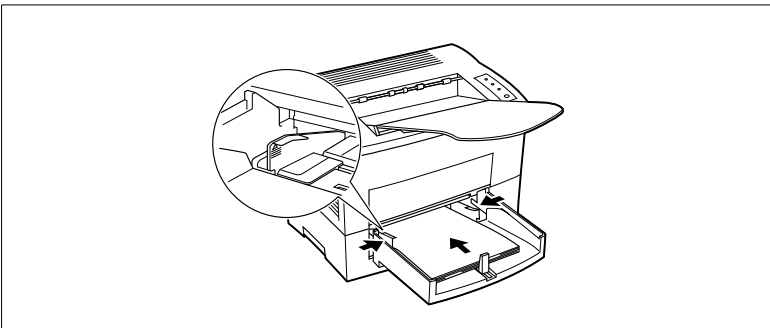
- 1 Remove the tray cover from Tray 1.



- 2 Open all three paper size guides.



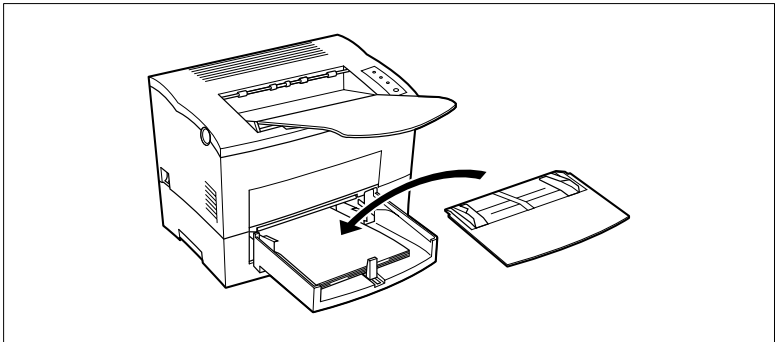
- 3 Place the paper stack onto the tray, print-side up. Secure the stack by adjusting the paper size guides.



**NOTE**

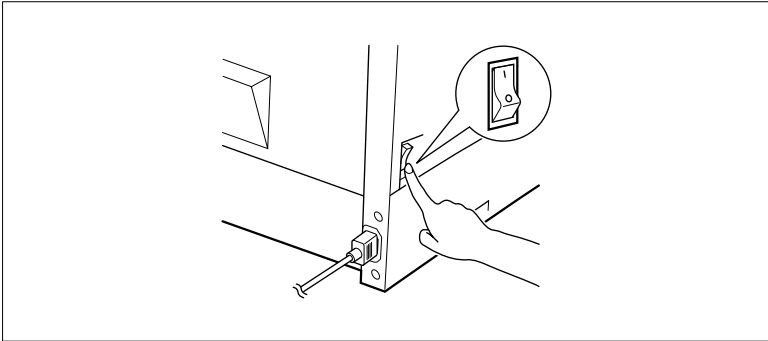
- A maximum level mark on the paper size guide shows how high you can stack paper on Tray 1. Make sure that paper is stacked no higher than this mark.
- For details on making settings for Tray 1, see page 5-50 and see page 6-4.

- 4 Replace the tray cover onto Tray 1.



Turning On the Printer

After connecting the printer to a power outlet, press the power switch to turn it on.



Turning on the printer causes all the indicators on the control panel to light, which indicates that the printer is warming up. In about 23 seconds only the ready indicator remains lit, indicating that the printer is ready to print.



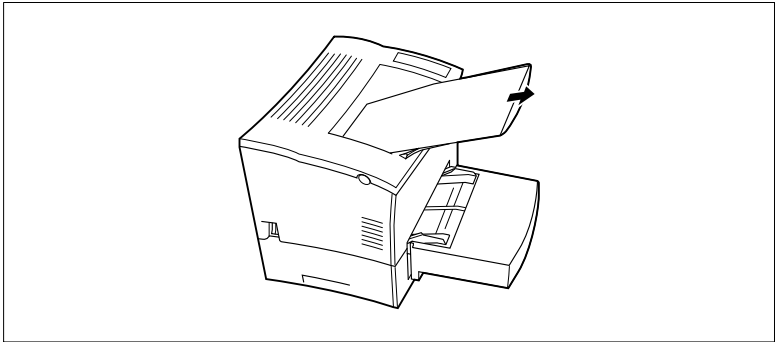
NOTE

- The printer automatically enters a power saving mode if it receives no print commands for about 15 minutes. Whenever the printer receives a print command while in the power saving mode, it starts to warm up again and takes about 23 seconds before it is ready to print.
-

Testing the Printer

Before connecting to a computer, perform the following procedure to print a Configuration Page and see if the printer is working correctly.

- 1 Place the paper onto Tray 1.
- 2 Make sure that both the PAPER and ERROR indicators are off, and the READY indicator is on. This indicates there is no existing error condition and no data remaining to be printed.
- 3 Briefly press the [panel] button to start printing the Configuration Page.



Sample Configuration Page

MINOLTA PagePro18 Configuration Page

<p>PRINTER DEFAULT</p> <p>Paper Size = A4 Orientation = PORTRAIT Copies = 1 Paper Source = TRAY1 Priority Feed = TRAY1 Tray1 Setting = FIX Tray1 Size = A4 Detect Size Error = ON Auto Continue = ON Paper Time Out = PROCEED Jam Recovery = OFF Fine ART = ON Toner Save = OFF Emulation Switch = PCL Line/Page = 64 Jogging = NO</p>	<p>PRINTER SETTING</p> <p>Power Save = ON ID Time Out Parallel = 15 Pre-Heat = ON</p>
<p>PCL SETTING</p> <p>Font Source = INTERNAL Font Number = 0 Font Size = 12.00 Font Pitch = 10.00 Symbol Set = PC-8 PCL 6e Version = 1.4.10 PCL XL Version = 1.1.10</p>	<p>PRINTER CONFIGURATION</p> <p>Tray 2 = Not Installed Tray 3 = Not Installed Duplex Unit = Not Installed Network Card = Not Installed</p>
<p>PRINTER INFORMATION</p> <p>Controller Firmware Version = XXXXXXXXXXXX Engine Firmware Version = XXXXXXXXXXXX Total Counter = 1104 Tray2 Counter = 55 Tray3 Counter = 0 Total Memory = 4 MB</p>	

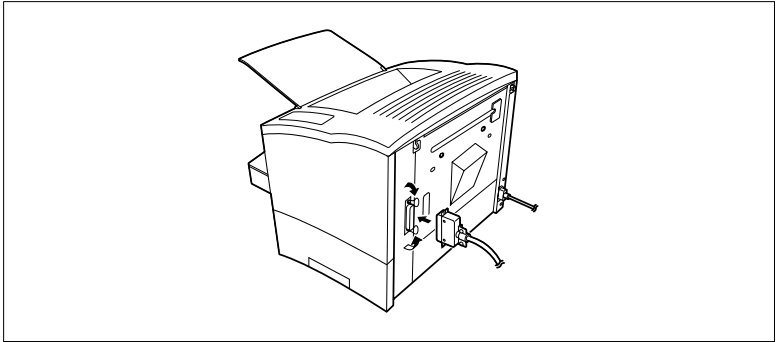


NOTE

- See chapter “Troubleshooting” of this manual for information on what to do if the Configuration Page does not print when you press the [panel] button.
- The Configuration Page can be printed on A4 size paper only.

Connecting to a Computer

- 1 Make sure that the printer and the computer you are connecting it to are both turned off.
- 2 Connect one end of the interface cable to the parallel port of the computer.
- 3 Connect the other end of the cable to the parallel connector on the back of the printer. Secure the cable using the two clips on the parallel connector.



Cable specifications and pin assignments, see page 9-4.

3.4 Options

This section describes the optional items that are available for this printer: Memory SIMM(s), Duplex Unit, Second Paper Cassette Unit, Third Paper Cassette Unit, Adobe PostScript ROM-SIMM, and the Network Interface Card.

SIMM (Single In-line Memory Module)

Many errors caused by data overload can be avoided by installing additional memory into the printer.

This printer comes with 4 MB of memory. You can increase memory capacity to up to 64 MB by installing an optional 1, 2, 4, 8, 16 or 32 MB SIMM into one or both of the two memory connectors located inside of the printer.



NOTE

- Memory capacity can be increased to 64 MB by installing two 32 MB SIMMs into the printer. (However, it will first be necessary to remove the 4 MB SIMM that comes installed in the printer.) The successful installation of the expansion memory can be confirmed by printing a Configuration Page.
-

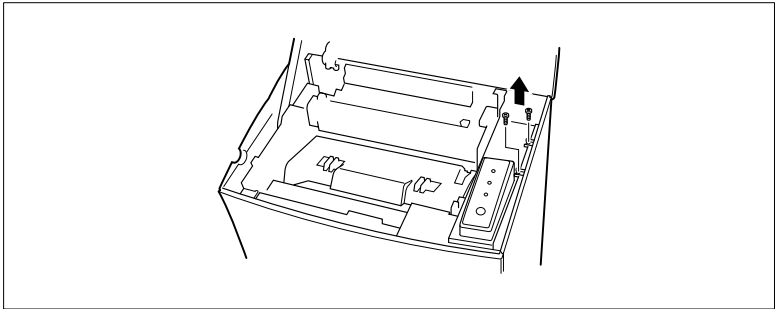
Installing the Optional SIMM



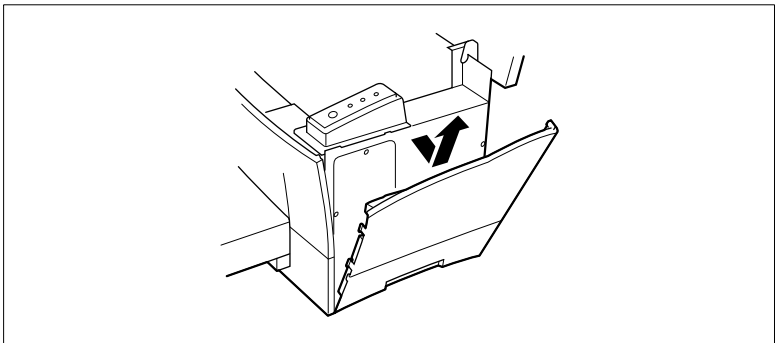
WARNING

- Electric shock hazard! Do not remove any cover of the printer that is not directly specified for removal in the User's Manual.

- 1 Turn off the printer and unplug the power cord.
- 2 Disconnect the parallel cable from the printer.
- 3 Press the top cover release button and open the top cover.
- 4 Using a screwdriver, loosen and remove the two screws that secure the exterior side cover to the printer.



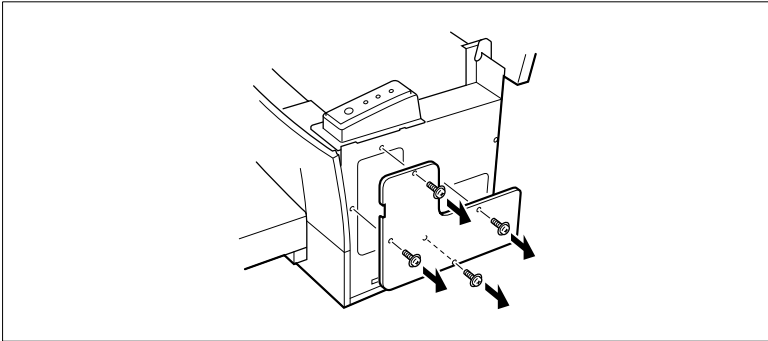
- 5 Clips secure the exterior side cover from the inside of the printer. Gently maneuver the exterior side cover until the clips release (see illustration).



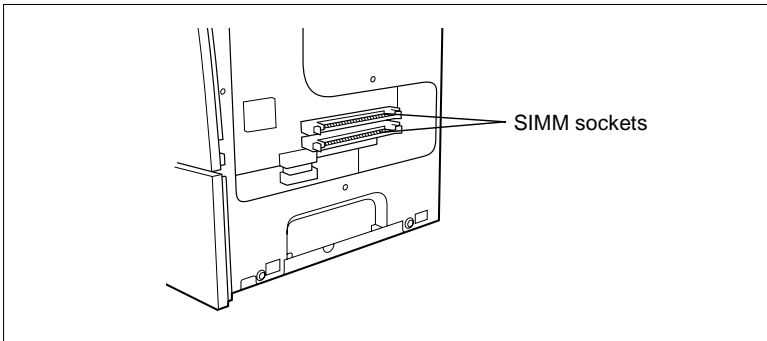
**CAUTION**

→ Do not touch any part of the main circuit inside of the printer.

- 6 With the exterior side cover removed, the internal side cover of the printer is exposed. With the screwdriver, loosen and remove the four screws that secure the internal side cover.



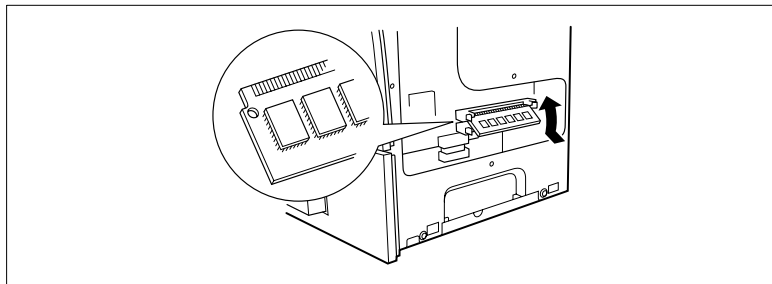
- 7 Remove the internal side cover to expose the main circuit.



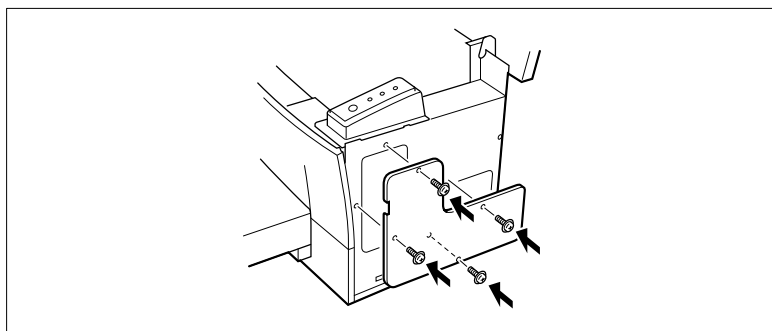
- 8** Being careful not to touch the connection points along the edge of the SIMM, insert the SIMM into one of the available sockets on the main circuit.

Insert the SIMM at an angle as shown and gently swing it into the socket.

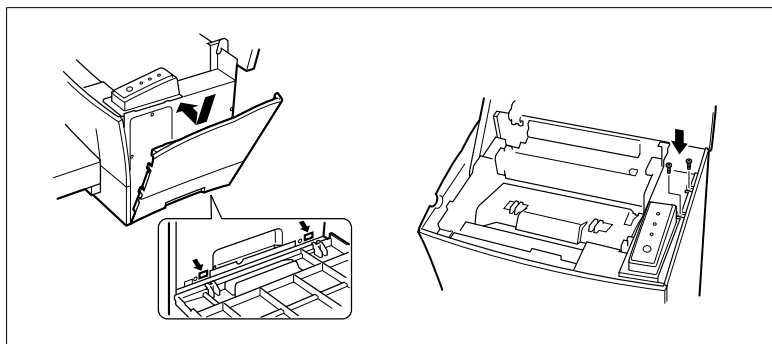
Apply pressure until the SIMM locks into place.



- 9** Replace the internal side cover using the four screws.



- 10** Replace the external side cover using the two screws.



- 11 Print a Configuration Page (see page 3-14) and check to make sure that the “Total Memory” item correctly shows the increase in memory capacity. If it does not, repeat the above steps making sure that the SIMM is installed correctly.



NOTE

- To release the SIMM from the socket, push out on the taps on each side of the socket.
- After installation of the SIMM, reset the Printer Memory Setting to reflect the new memory capacity (see page 5-54).

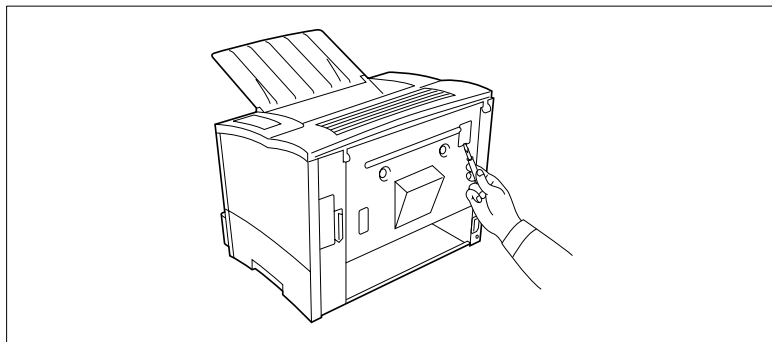
**Duplex Unit**

Your printer supports double-sided printing if the optional duplex unit is installed. Double-sided documents can be generated for binding along either the short or long edges of the paper through the printer software. For more information, see page 4-14.

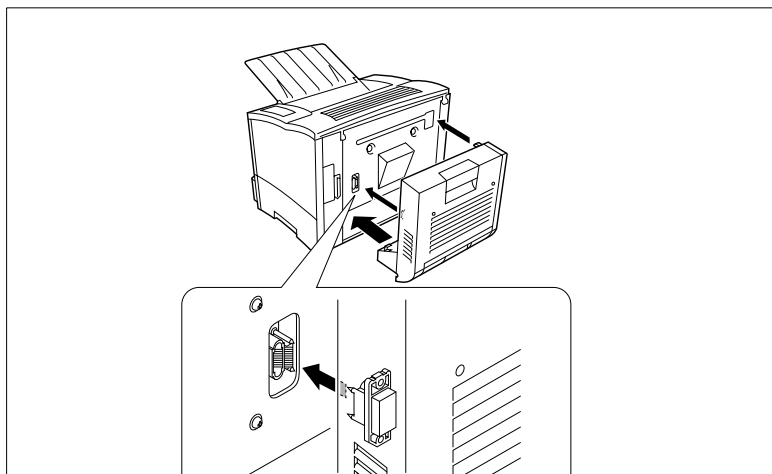
- Take the duplex unit out of the shipping box.
- Remove the plastic bag and all shipping materials.
- Turn the printer off and then disconnect the power cord and interface cable from the printer.

Installing the Duplex Unit

- 1 With a screwdriver or similar instrument, remove the flat clip that is attached to the back of the main unit of the printer.



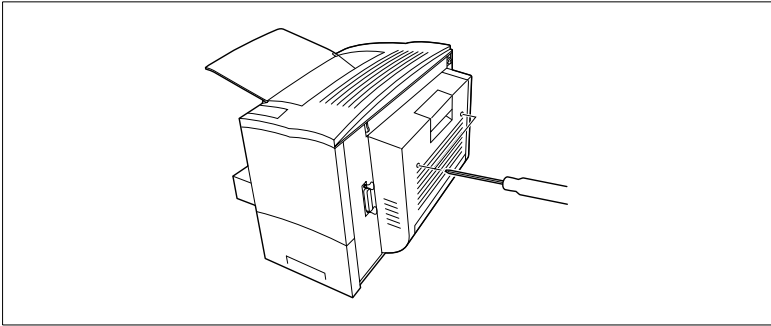
- 2 Align the “L” shaped duplex unit to the back of the main unit of the printer so that the bottom of the “L” is inside of the opening at the bottom of the printer.



NOTE

- Make sure that the connector of the unit is inserted into the printer securely.

- 3 With one hand holding the duplex unit in position, use a Phillips screwdriver to tighten the screws that are permanently attached to the back of the duplex unit.



NOTE

- Hold up the duplex unit with your hand during installation until it is secured to the printer with the screws.
-

- 4 Connect the power cord to the printer and then turn the printer on.
“Connecting the Power Cord”, see page 3-9.
“Turning On the Printer”, see page 3-12.
- 5 Generate a configuration page to verify that duplex unit is listed under the Printer Configuration item.
“Testing the Printer”, see page 3-13.

Printer Configuration

- Tray 2 = Not Installed
- Tray 3 = Not Installed
- Duplex Unit = Installed
- PostScript = Not Installed
- Network Card = Not Installed

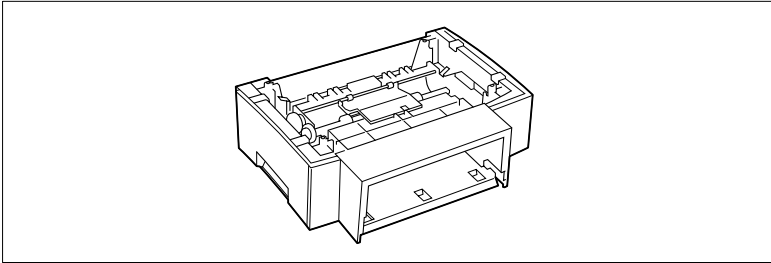
Second/Third Paper Cassette Unit

You can increase the paper-holding capacity of your printer by installing an optional second/third paper cassette unit. Each paper cassette unit can hold up to 500 sheets of paper. The second and third paper cassette units are interchangeable and can increase paper-holding capacity to 1,000 sheets when installed together.

Installing the Optional Second/Third Paper Cassette Unit

- ✓ Take the paper cassette unit out of the shipping box.
- ✓ Remove the plastic bag and all shipping materials.
- ✓ Turn the printer off and then disconnect the power cord and interface cable from the printer.

- 1 Place the paper cassette unit in the location you have chosen (see page 3-1, "Selecting a Location for the Printer"). Pull out the paper tray.

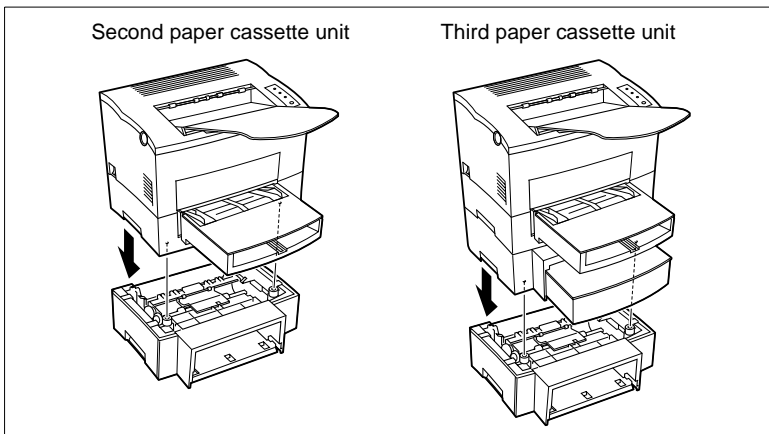


- 2 Set the printer onto the paper cassette unit using the coupling pins as a guide.

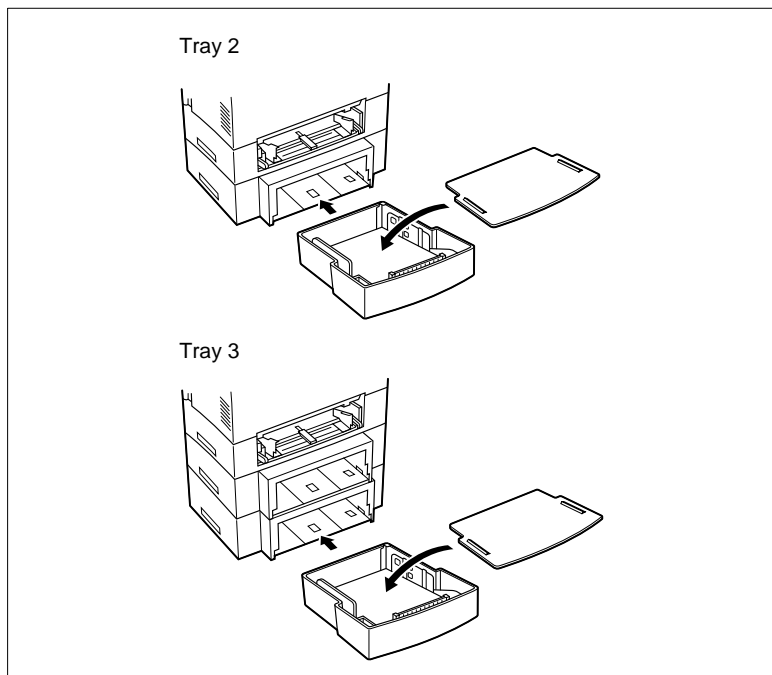


NOTE

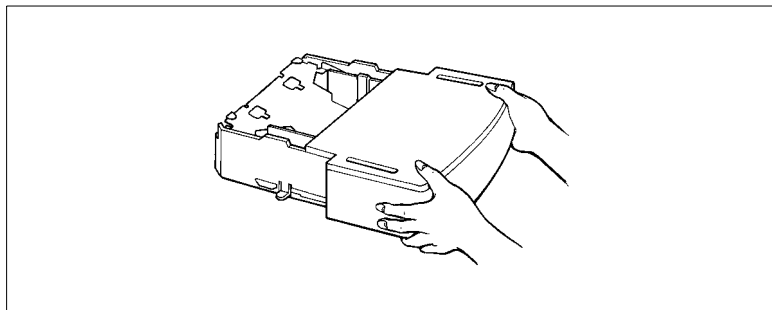
- The printer weighs approximately 18 kg (39.7 lbs.). Two people are recommended to lift it when necessary.



3 Insert Tray 2 or Tray 3 into the paper cassette unit

**NOTE**

- Be sure to use both hands whenever Tray 2 or Tray 3 is being removed from or inserted into the paper cassette unit.



- 4 Connect the power cord to the printer and then turn the printer on.
“Connecting the Power Cord”, see page 3-9.
“Turning On the Printer”, see page 3-12.
- 5 Generate a configuration page to verify that Tray 2 or Tray 3 is listed under the Printer Configuration item.
“Testing the Printer”, see page 3-13.

Printer Configuration

- Tray 2 = Installed
- Tray 3 = Installed
- Duplex Unit = Not Installed
- PostScript = Not Installed
- Network Card = Not Installed

Adobe PostScript ROM-SIMM

This printer is equipped with a socket for the installation of an Adobe PostScript ROM-SIMM. This ROM-SIMM enables the printer to support the PostScript page description language.



WARNING

- The Adobe PostScript ROM-SIMM is easily damaged by static electricity. Touch a metal object before you touch the ROM-SIMM.
-
- ✓ Take the Adobe PostScript ROM-SIMM out of the shipping box.
 - ✓ Turn the printer off and then disconnect the power cord and interface cable from the printer.

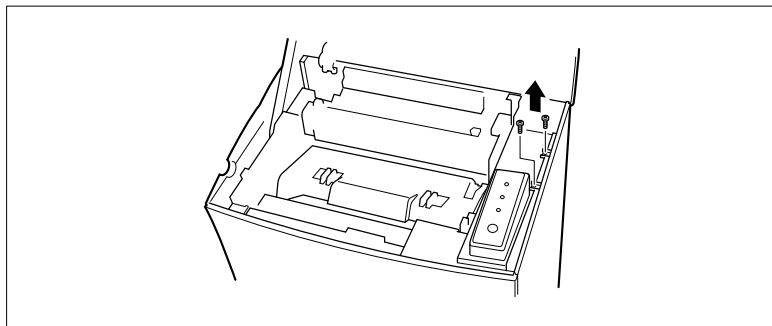
Installing the Optional Adobe PostScript ROM-SIMM



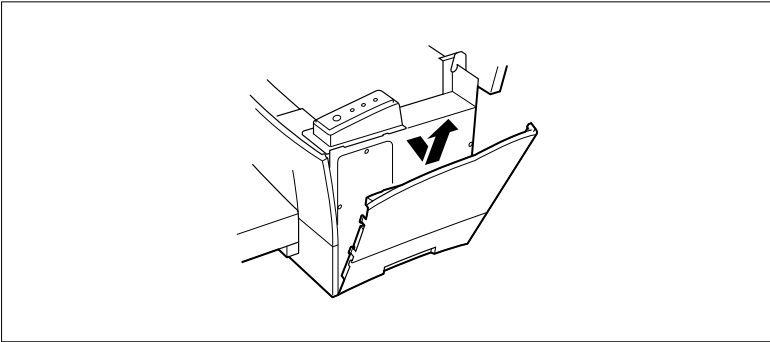
WARNING

- Electric shock hazard! Do not remove any cover of the printer that is not directly specified for removal in the User's Manual.

- 1 Turn off the printer and unplug the power cord.
- 2 Disconnect the parallel cable from the printer.
- 3 Press the [top cover release] button and open the top cover.
- 4 Using a screwdriver, loosen and remove the two screws that secure the exterior side cover to the printer.



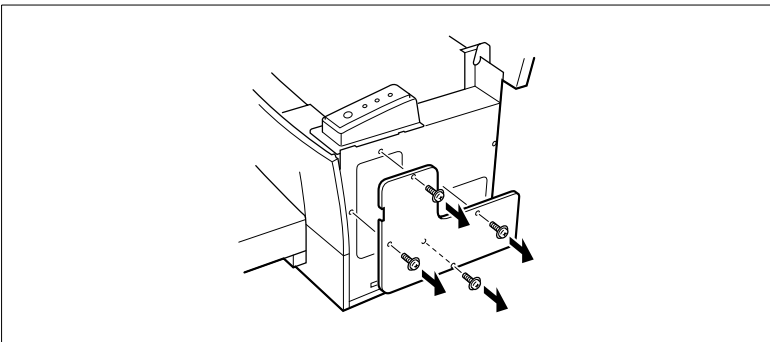
- 5 Clips secure the exterior side cover from the inside of the printer. Gently maneuver the exterior side cover until the clips release (see illustration).



CAUTION

- Do not touch any part of the main circuit inside of the printer.
-

- 6 With the exterior side cover removed, the internal side cover of the printer is exposed. With the screwdriver, loosen and remove the four screws that secure the internal side cover.

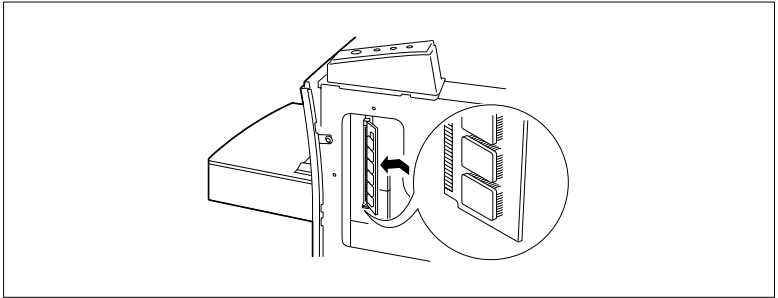


- 7 Remove the internal side cover to expose the main circuit.

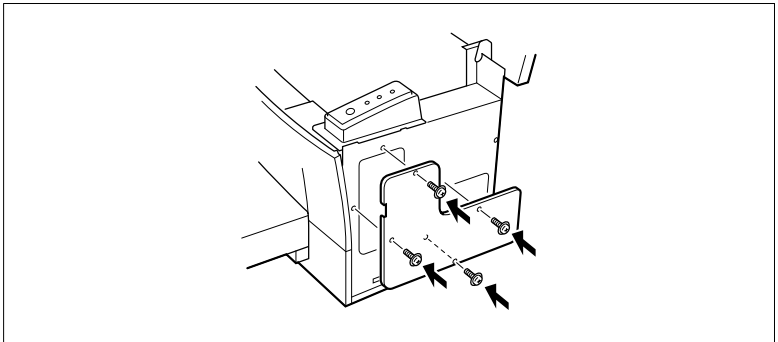
- 8** Being careful not to touch the connection points along the edge of the SIMM, insert the SIMM into the socket of the main circuit.

Insert the SIMM at an angle as shown and gently swing it into the socket.

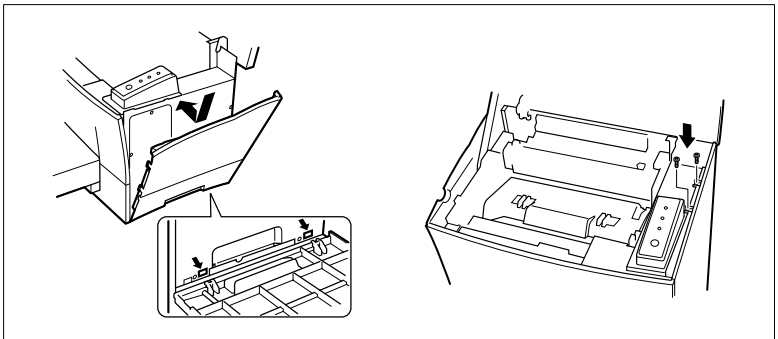
Apply pressure until the SIMM locks into place.



- 9** Replace the internal side cover using the four screws.



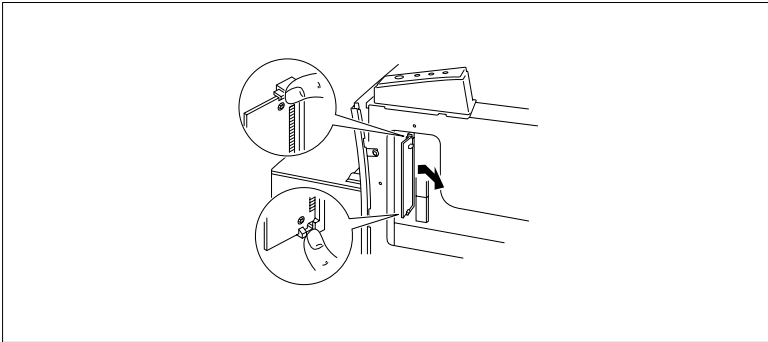
- 10** Replace the external side cover using the two screws.



- 11 Connect the power cord to the printer and then turn the printer on.
“Connecting the Power Cord”, see page 3-9.
“Turning On the Printer”, see page 3-12.
- 12 Generate a configuration page to verify that PostScript is listed under the Printer Configuration item.
“Testing the Printer”, see page 3-13.

**NOTE**

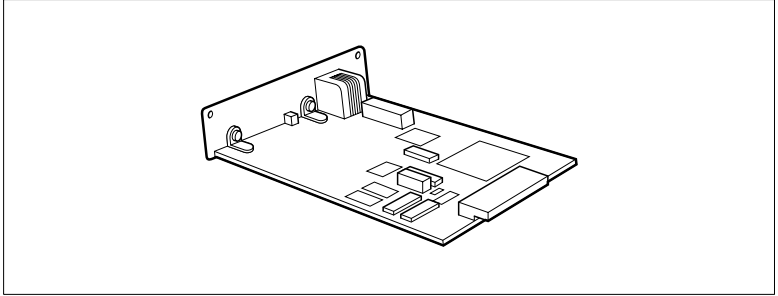
- To release the SIMM from the socket, push out on the taps on each side of the socket.

**Printer Configuration**

- Tray 2 = Not Installed
- Tray 3 = Not Installed
- Duplex Unit = Not Installed
- PostScript = Installed
- Network Card = Not Installed

Network Interface Card (NIC)

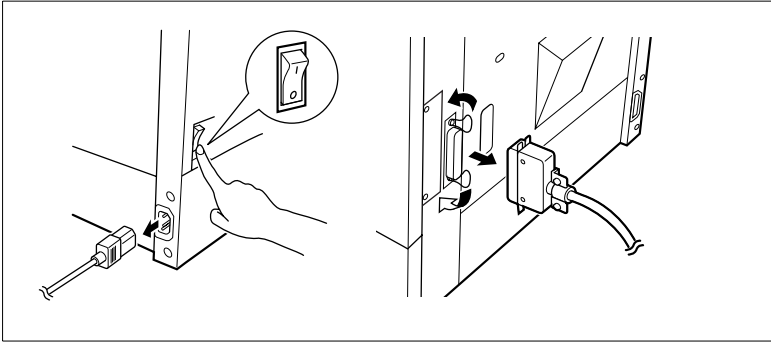
There are two optional network interface cards that are supported by this printer: 10/100BaseT and 10Base2. The NIC option that you select should be determined according to the requirements of your network environment. For details, please see the User's Manual for the Network Interface Card.



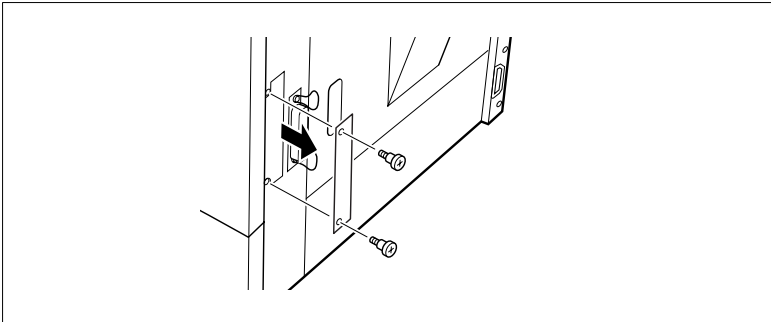
This illustration shows the optional 10/100BaseT Network Interface Card.

Installing the Optional Network Interface Card

- 1 Turn the printer off and unplug the power cord from the printer. Disconnect the cable from the interface connector.



- 2 Remove the screw that secures the cover panel to the back of the printer. Remove the cover panel.



NOTE

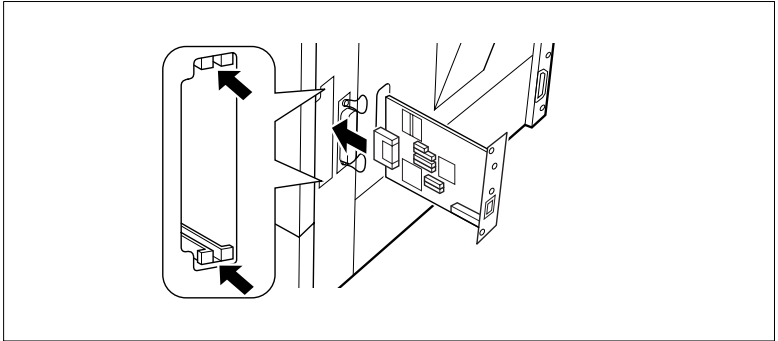
- Make sure that you do not misplace the cover panel or screws when you remove them. The screws will be used after the optional NIC is installed.

- 3 Take the NIC out of its carton.

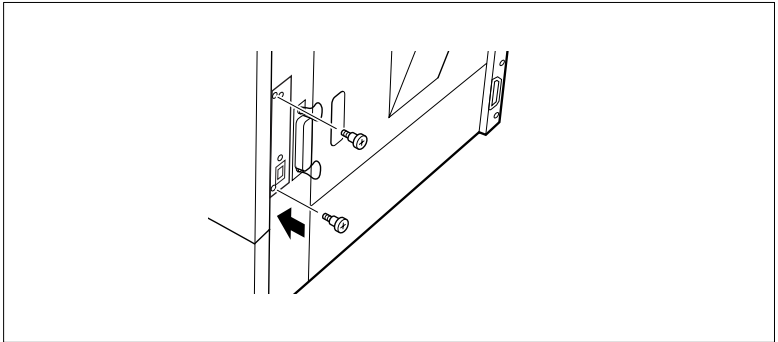
**NOTE**

- When the NIC is taken out of its conductive bag or off its mat, hold it by its edges to avoid touching the terminals or the patterned surfaces.

- 4 Insert the NIC as shown in the diagram.



- 5 Secure the NIC into place using the same screws that were used to hold the cover panel.

**NOTE**

- Follow the NIC's installation procedure in reverse to remove the NIC.

- 6 Connect the power cord to the printer and then turn the printer on.
See “Connecting the Power Cord”, see page 3-9.
See “Turning On the Printer”, see page 3-12.
- 7 Generate a configuration page to verify that Network Card is listed under the Printer Configuration item.
See “Testing the Printer”, see page 3-13.

Printer Configuration

- Tray 2 = Not Installed
- Tray 3 = Not Installed
- Duplex Unit = Not Installed
- PostScript = Not Installed
- Network Card = Installed

4 Using the Printer

4.1 Paper



CAUTION

→ This printer is designed to print on only the following types of paper.

Type

Paper Feeding Port	Plain Paper weighing: 60 to 90 g/m ² 16 to 24 lbs.	Special Paper					
		Recycled Paper weighing: 60 to 90 g/m ² 16 to 24 lbs.	Transparency Sheet	Labels	Letterhead	Envelopes	J-Post (Postcard) size: 100 x 148 mm 4" x 5-3/4"
Tray 1							
Tray 2			None	None	None	None	None
Tray 3			None	None	None	None	None
Manual Feed Tray							

Size

- Standard size

Paper Feeding Port	A4 210 x 297 mm 8-1/4" x 11-3/4"	JIS B5 182 x 257 mm 7-1/4" x 10"	Legal 216 x 356 mm 8-1/2" x 14"	Letter 216 x 279 mm 8-1/2" x 11"	Executive 184 x 267 mm 7-1/4" x 10-1/2"
Tray 1					
Tray 2*					
Tray 3*					
Manual Feed Tray					

* Each of the five cassettes of Tray 2/Tray 3 support one of the five types of paper that are compatible with this printer.

Envelopes and custom sizes (Tray 1 and Manual Feed Tray)

Paper Feeding Port	Env. Com10 105 x 241mm 4-1/8" x 9-1/2"	Env. DL 110 x 220mm 4-5/16" x 8-11/16"	Env. C5 162 x 229mm 6-3/8" x 9"	Env. B5 176 x 250mm 6-15/16" x 9-7/8"	Env. Monarch 98 x 190mm 3-7/8" x 7-1/2"	Custom 86 to 216 x! 148 to 356 mm 3-3/8" to 8-1/2" x 3-1/2" to 14"
Tray 1						
Manual Feed Tray						

* Printing is possible only if Tray1 Setting on the Paper tab of the Printer Control Panel dialog is set to Multiple Size, (see page 5-50 and see page 6-4).

- Specialty paper is not supported for duplex printing.



NOTE

- Do not use the following types of paper to avoid reduced print quality, a misfeed or a print failure.
 - Paper already used in a thermal transfer printer or ink jet printer.
 - Paper that is too thin or too thick.
 - Paper folded, curled or torn.
 - Paper having binding holes or perforations.
 - Paper with surfaces that are too smooth or too rough or with varying surfaces.
 - Paper having special coatings on their surfaces such as carbon paper, heat-sensitive paper and pressure-sensitive paper.
 - Sheets of various sizes.
 - Paper not cut on right angles.
 - Paper bound by glue, staples or clips.
 - Paper affixed with labels which are easy to peel.
 - Post cards that are warped or bent.
 - Envelopes should meet the following requirements:
 - Sharp folds and edges.
 - General mailing envelopes without seals on the glued portion.
 - Having flaps the full width of the envelope (unacceptable if the flap is glued).
 - Wrinkle-free, no fasteners.
 - Generally, envelopes perform well, but some types may wrinkle. We strongly recommend testing any type of envelope before buying it in large amounts.
 - For more information, refer to “Loading Paper”.
-

4.2 Loading Paper

There are two primary sources that can be used to feed paper into the printer: Tray 1 and the manual feed tray.

Tray 1 is the standard source for supplying paper to the printer. Various types and sizes of paper can be fed from this tray.

Tray 2/Tray 3 are available as optional paper sources. See the section of this User's Manual entitled "Loading Paper onto Tray 2/Tray 3" for details on using these trays.

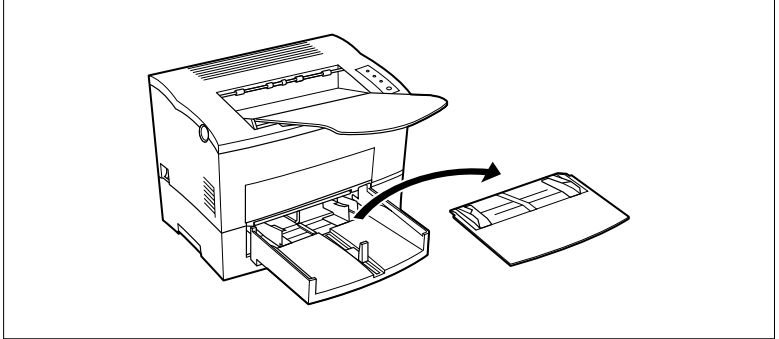
Whenever you are using special size paper, be sure to use the printer driver installed on the computer to specify the printing area. You may experience some variation in print quality when using special size paper.

Always remember that paper storage conditions greatly affect print quality. Store paper in its original package. Keep paper out of areas subject to extreme temperatures or humidity.

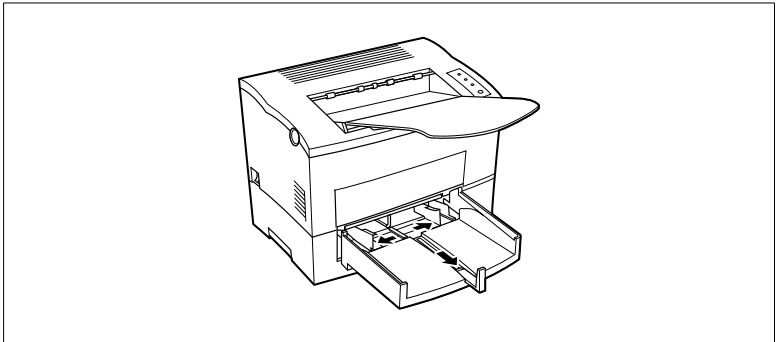
Loading Paper onto Tray 1

You can load up to 250 sheets of standard paper onto Tray 1. For details on paper sizes and types, see page 4-1.

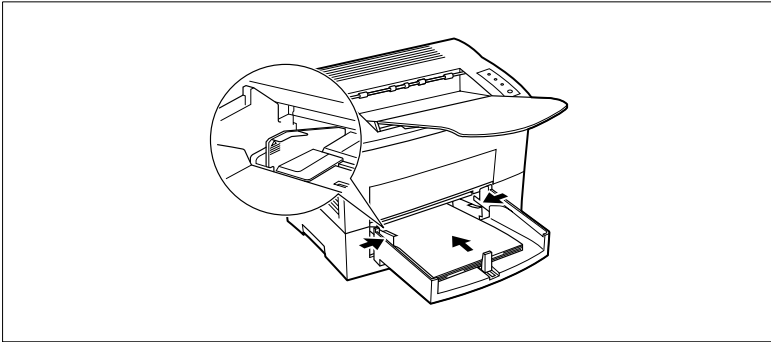
- 1 Remove the tray cover from Tray 1.



- 2 Open the paper size guides.

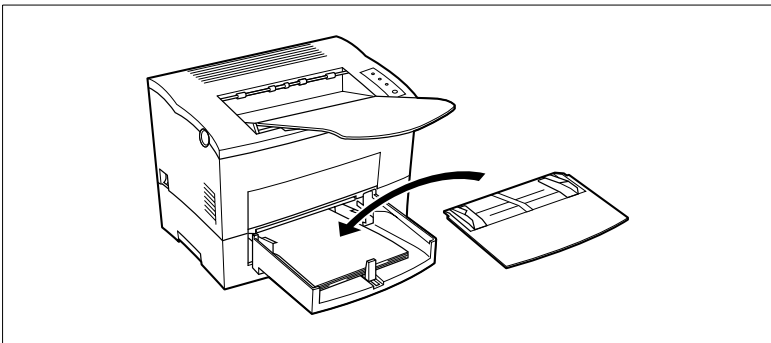


- 3 Place a stack of paper in the center of Tray 1. Adjust the paper size guides so that both the left and the right sides of the paper stack are secure.

**NOTE**

- A maximum level mark on the paper size guide shows how high you can stack paper on Tray 1. Make sure that paper is stacked no higher than this mark.
- Do not load additional paper until the paper currently loaded onto Tray 1 is completely used.
- For details on making settings for Tray 1, see page 5-50 and see page 6-4.

- 4 Replace the tray cover onto Tray 1.



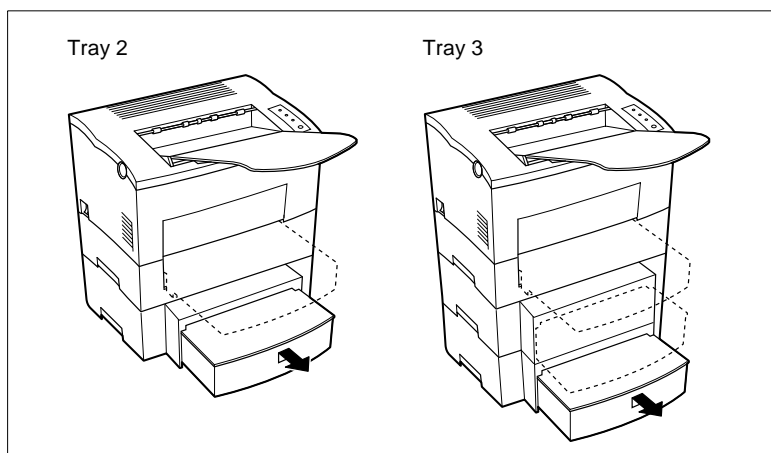
Loading Paper onto Tray 2/Tray 3



NOTE

- Make sure that the Tray 2/Tray 3 cassette for the proper size of paper to be used for printing has been installed into the second/third paper cassette unit. For instructions on inserting (and removing) the Tray 2/Tray 3 cassette into (and from) the second/third paper cassette unit, refer to chapter “Setting-up”.

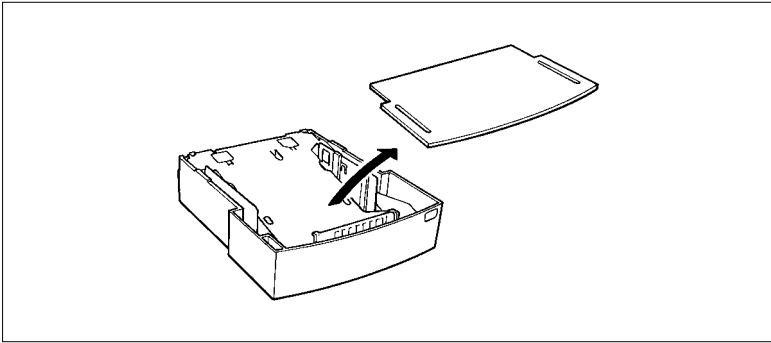
- 1 Slide Tray 2/Tray 3 out of the second/third paper cassette unit as illustrated.



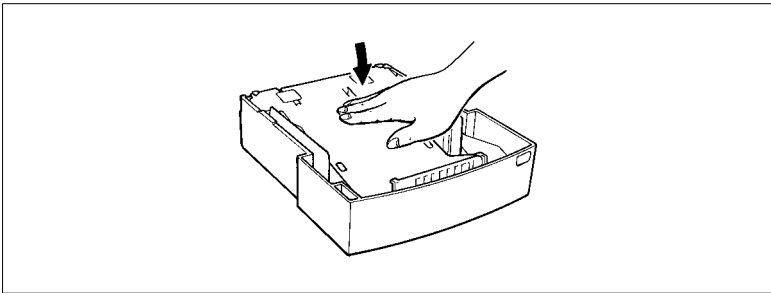
NOTE

- The cassette is designed to remain in the unit during the normal loading and operation of the printer. To remove Tray 2/Tray 3 from the unit, pull it out as far as it will go without force. Then gently raise the forward-end up, and remove Tray 2/Tray 3 from the unit.
- Tray 2 and Tray 3 are available as an option for this printer. Contact your dealer to find out how you can acquire this tray to increase the capabilities of your printer.

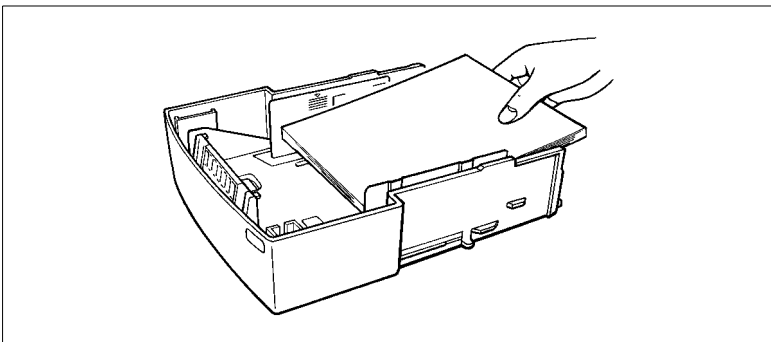
- 2 Remove the cassette cover from Tray 2/Tray 3.



- 3 Press down on the paper lifting plate located inside of Tray 2/Tray 3 until it locks.

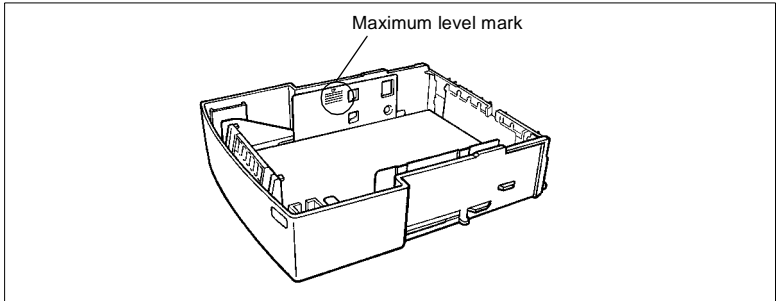


- 4 Place a stack of up to 500 sheets of paper into Tray 2/Tray 3 so that the side that was facing up when the paper was unwrapped is still facing up.



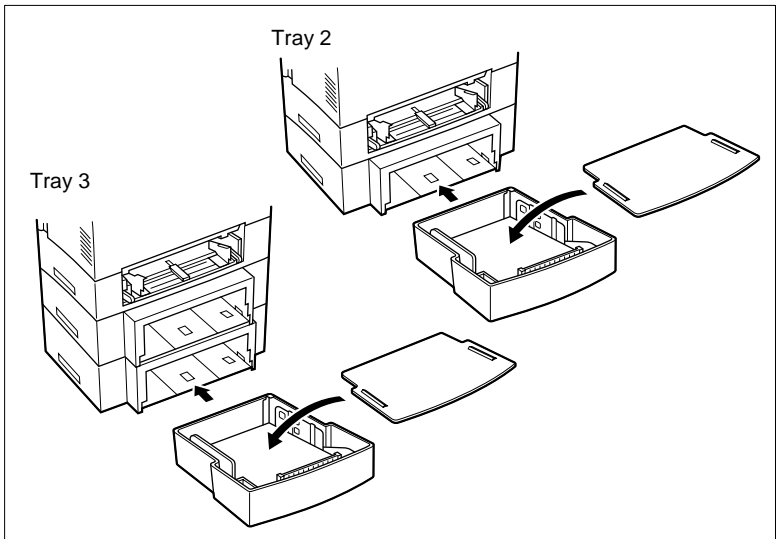
**NOTE**

- A maximum level mark inside the inlet of Tray 2/Tray 3 shows how high you can stack paper. Make sure that paper is stacked no higher than this mark.



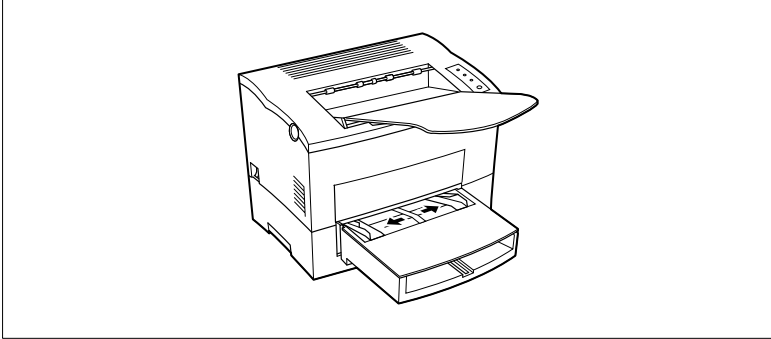
- Tray 2/Tray 3 does not support landscape-oriented paper-feeding.
- Do not load additional paper until all the paper currently on Tray 2/Tray 3 is completely used up.

- 5** Replace the cassette cover and insert Tray 2/Tray 3 into the second/third paper cassette unit.

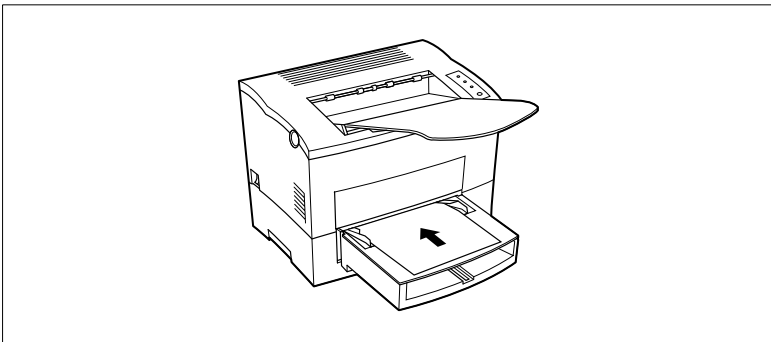


Manual Paper Feed

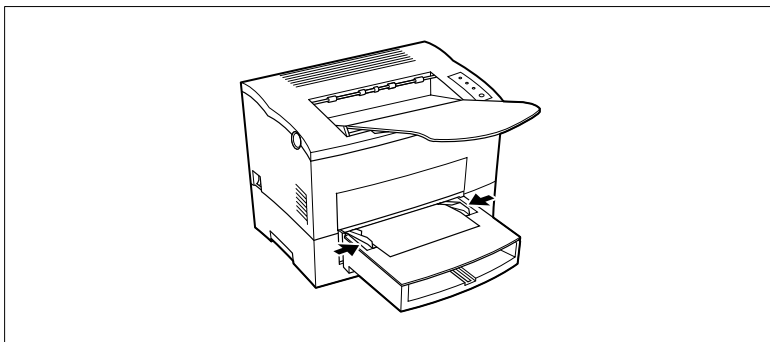
- 1 Make sure that the tray cover is properly attached to Tray 1.
- 2 Open the paper size guides.



- 3 Insert the sheet of paper into the manual feed tray with the side to be printed facing up.



- 4 Adjust the paper size guides so that both sides of the paper are secure.

**NOTE**

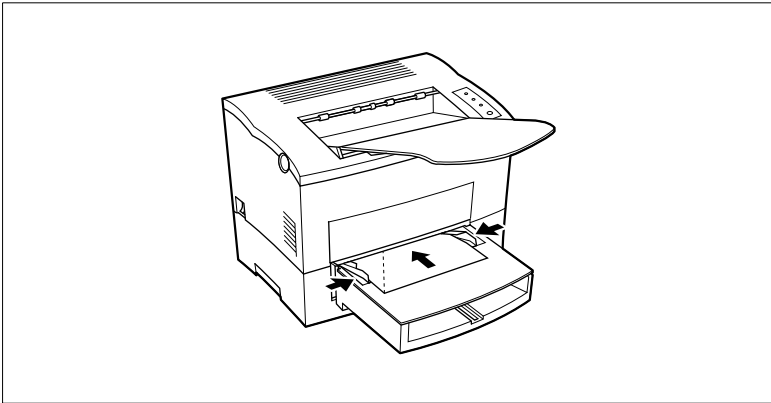
- Insert only one sheet of paper or one envelope at a time when feeding manually.

4.3 Printing on Envelopes

The manual feed tray supports feeds of Commercial 10, Monarch, DL, C5, and B5 envelopes.

Manually feed envelopes one by one into the manual feed tray.

- 1 Place the envelope with the side to be printed facing up on the tray. The flap of the envelope should be facing down and to the left.
- 2 Make sure that the envelope is placed in the center of the tray and that it is secured by the paper size guides



NOTE

- Because there is great variation in the quality of paper used for envelopes, we suggest that you produce test prints of various types before purchasing any envelope in large quantities for use with this printer.

Note the following points whenever printing on envelopes.

- Make sure that all edges are creased sharply and that all flaps are folded correctly.
- Do not use envelopes that are self-adhesive. Use only envelopes that have standard sealing that sticks after it is moistened.
- Use envelopes of which flaps run the entire length of the envelope. Envelopes that seal at one end will not feed properly.

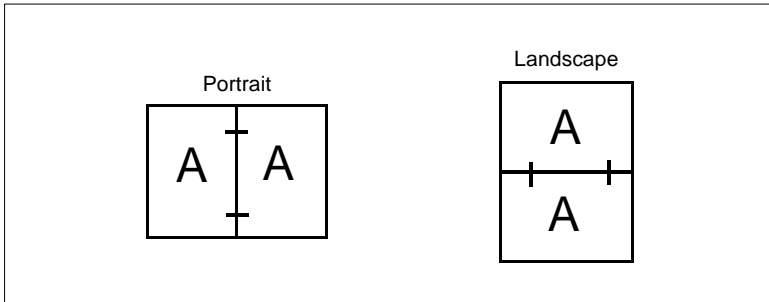
- Do not use envelopes that have a window. Such envelopes can seriously damage the printer.
- Do not use envelopes that are wrinkled.
- Never use envelopes that have clasps or any other type of fastener that can damage the printer.
- Do not store envelopes in an area that is subject to high humidity.

4.4 Duplex Printing

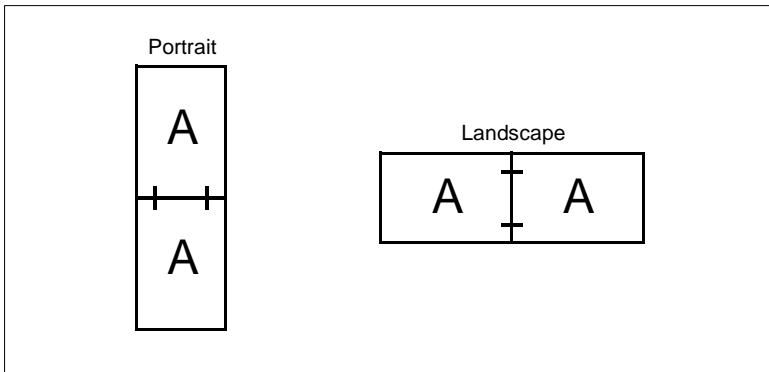
This feature prints document data on both sides of a sheet of paper. Installation of the optional duplex unit is required to perform duplex printing.

You can choose either Bind Long Edge or Bind Short Edge when generating duplex documents.

- (1) Bind Long Edge



- (2) Bind Short Edge



The supported paper types and sizes for duplex printing are as follows.

Paper Type

- Plain paper: 64 to 90 g/m² (17 to 24 lb)
- Recycled paper: 64 to 90 g/m² (17 to 24 lb)

**NOTE**

- Do not use special paper (transparencies, labels, envelopes, letterhead, J-Post and thick paper) for duplex printing.

Paper Size

- A4, A5, JIS B5, Letter, Legal, Executive.

**NOTE**

- The Long Edge Binding setting of the printer driver cannot be used to print duplex documents on custom size paper.

Remember the following points when generating duplex documents:

- The size of both original documents that will be used to make one duplex document must be the same.
- The original document that is loaded first into the duplex unit will be output face down.

5 Printer Driver

This printer driver was especially designed to provide true Windows-based and DOS printing for your Minolta printer. The driver consists of three programs: the printer status display, the control panel and the driver itself.



IMPORTANT

- This printer driver is located on the CD-ROM that comes with your printer. If your computer does not have a CD-ROM drive or you wish to download the updated printer driver, please contact a Minolta dealer.
-

5.1 System Requirements

The following describes the minimum system requirements for running the Minolta PageWorks/Pro 18/18N printer driver.

Operating System: Microsoft Windows 95, Windows 98, Windows 3.1x, Windows NT 4.0 or MS-DOS

Personal Computer: IBM-compatible PC with at least a 486DX 16MHz CPU (Pentium processor recommended)

CD-ROM drive

I/O Interface: IEEE 1284 type-B parallel cable

Memory: At least 8MB of PC RAM

Free Disk Space: Approximately 5MB for files



NOTE

- Use of a poor quality parallel cable may adversely affect input.
-

5.2 Installing the Printer Driver Under Windows 95/98

This section provides information on installing the printer driver under Windows 95/98. It also tells you how to uninstall the printer driver when necessary.

To Install the Printer Driver Using the Installer (Auto Run)

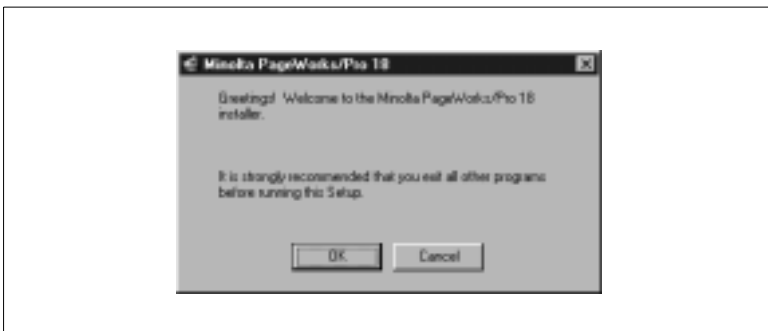
- 1 Turn on your computer and start up Windows 95 or Windows 98.
- 2 Insert the Printer Driver CD-ROM into your computer's CD-ROM drive.
- 3 Open the Windows Explorer, browse to the CD-ROM drive and navigate to: D:\DRIVER\WIN95NT\GB.
- 4 Double-click Setup.exe.



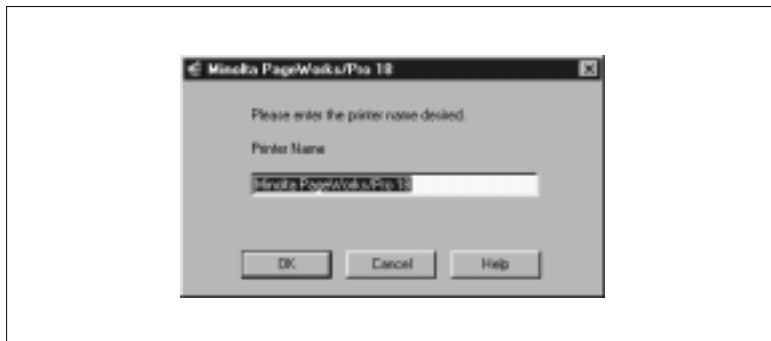
NOTE

- The printer driver must be installed using the CD-ROM's Setup.exe. Do not use the Add Printer wizard from the Printers folder. Installation through the Add Printer wizard will prevent the printer from performing properly

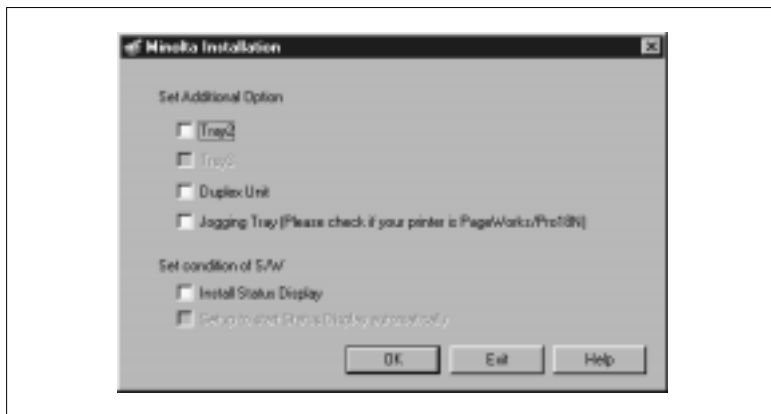
- 5 Follow the instructions that appear on your computer screen to complete the installation.



- 6 When the following dialog appears, you can assign a name to the printer. When the name is as you want it, click [OK].

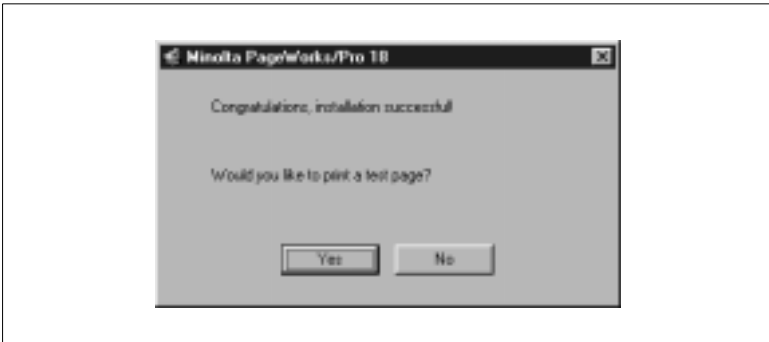


- 7 When the following dialog appears, check the option(s) that are installed onto your printer. If you want to install the status display, check the "Install Status Display" box. Then click [OK] to display the next step.

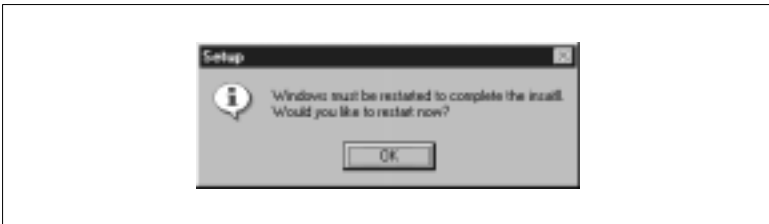
**NOTE**

- This printer does not support jogging tray compatibility. Do not check Jogging Tray in this dialog.

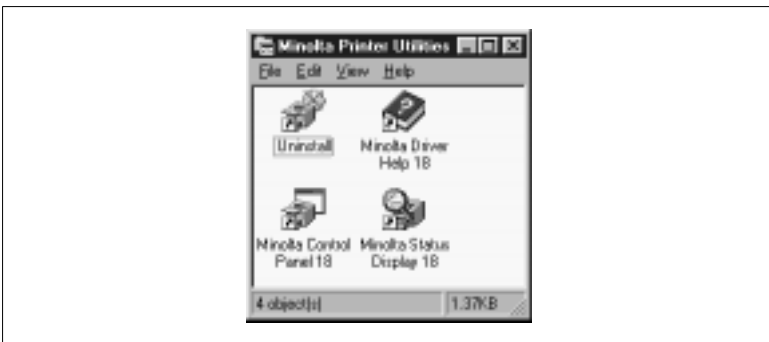
- 8 After the installation is completed, the following dialog appears. Printing a test page is recommended to confirm that the printer driver is correctly installed on your computer.



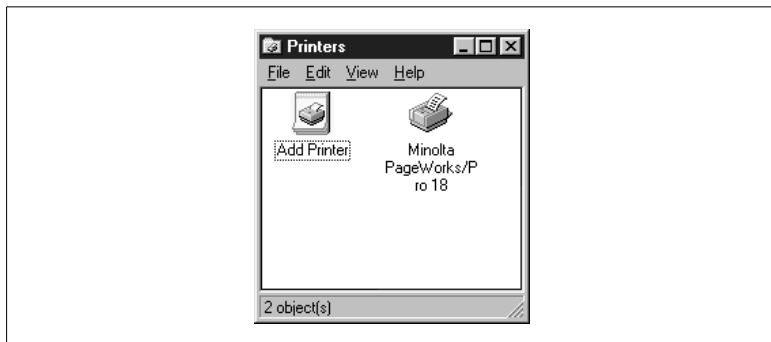
- 9 A message suggesting that you restart the computer will appear. Close any applications that are currently active on your desktop and click [OK] to restart the computer.



- 10 The following dialog appears on the desktop of the computer.



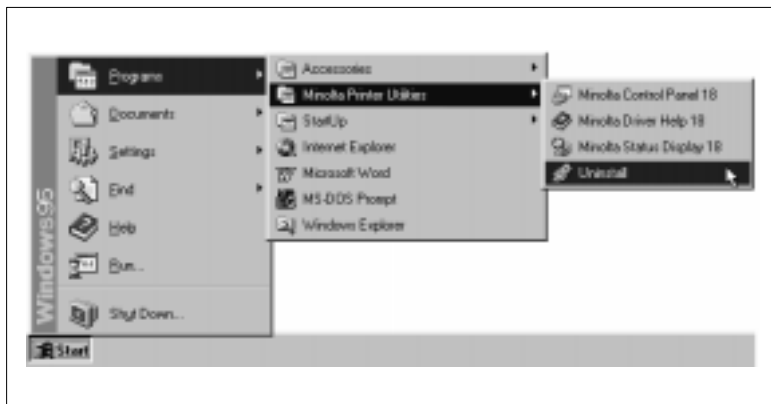
- 11 Make sure that the Minolta PageWorks/Pro 18 printer icon is displayed in the Printers dialog. Click [Start], point to Settings, and then click [Printers] to display the Printers dialog.



This completes the installation of the printer driver.

To Uninstall the Printer Driver

- 1 Click the [Start] button, point to Programs, Minolta Printer Utilities, and then click [Uninstall].



- 2 Select [Minolta PageWorks/Pro 18].



- 3 Click [Uninstall] to proceed with the uninstall operation or [Cancel] to abort.

- 4 In the next dialog that appears, click [Yes] to restart the computer.



5.3 Installing the Printer Driver Under Windows NT 4.0

This section provides information on installing the printer driver on a computer running Windows NT 4.0. It also tells you how to uninstall the printer driver when necessary.

To Install the Printer Driver Using the Installer (Auto Run)

- 1 Turn on your computer and start up Windows NT 4.0.
- 2 Insert the Printer Driver CD-ROM into your computer's CD-ROM drive. In this example, we will assume that D: is the name of the CD-ROM drive.
- 3 Open the Windows Explorer, browse to the CD-ROM drive and navigate to: D:\DRIVER\WIN95NT\GB.
- 4 Double-click Setup.exe.

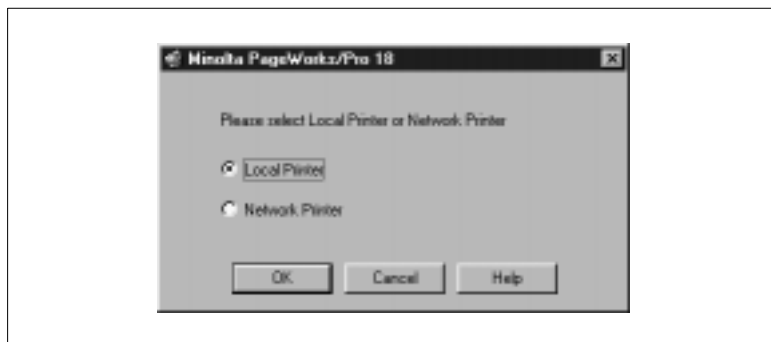


NOTE

- The printer driver must be installed using the CD-ROM's Setup.exe. Do not use the Add Printer wizard from the Printers folder.

- 5 Follow the instructions that appear on your computer screen to complete the installation.



6 Select Local Printer.**7** Click the [OK] button to display the next dialog.**8** Select the installation options.**9** If the computer onto which you are installing the driver is a print server, check the Server Install checkbox.**NOTE**

- If your printer is connected to a Network, we recommend consulting your network administrator and referring to the Network Interface Card Manual.

- 10 If you plan to use the printer as a network printer, type in a name for Share Name.

Example: PP_18

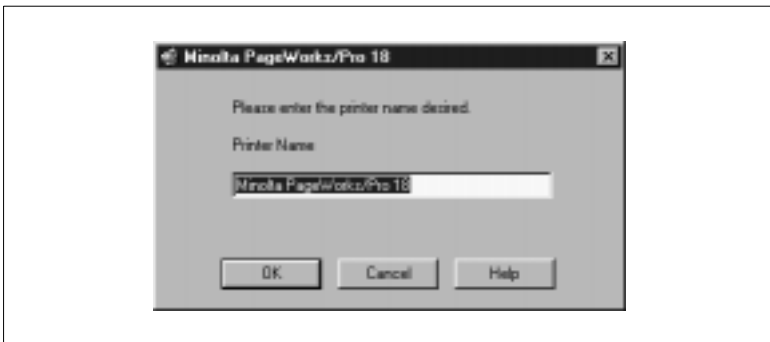


NOTE

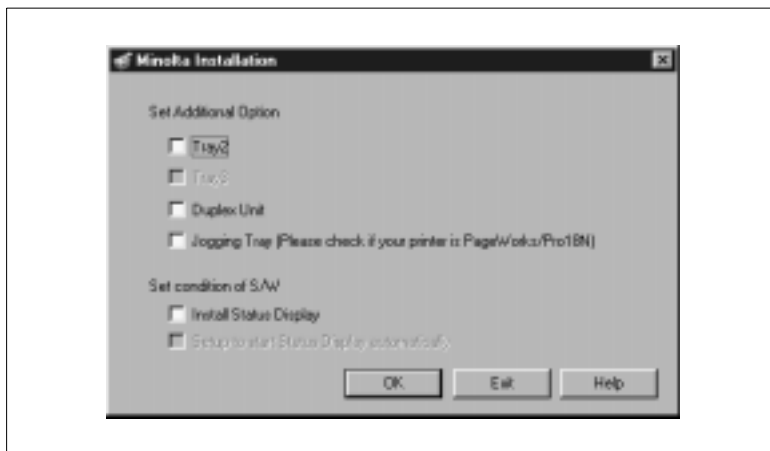
- Skip step 10 if you did not check the Server Install option in step 9 above.

- 11 Click [OK] to display the next dialog.

- 12 When the following dialog appears, you can assign a name to the printer. When the name is as you want it, click [OK].

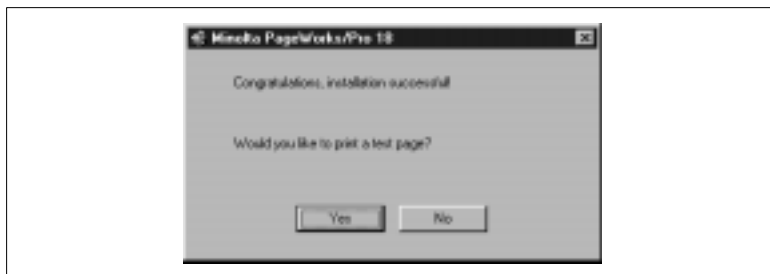


- 13** When the following dialog appears, check the option(s) that are installed onto your printer. If you want to install the status display, check the “Install Status Display” box. Then click [OK] to display the next step.

**NOTE**

- This printer does not support jogging tray compatibility. Do not check Jogging Tray in this dialog.

- 14** After the installation is completed, the following dialog appears. Printing a test page is recommended to confirm that the printer driver is correctly installed on your computer.

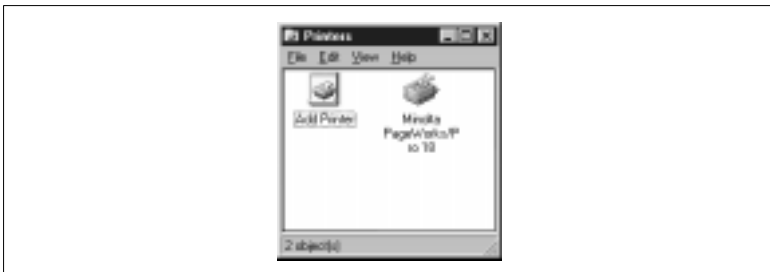


15 The following dialog appears on the desktop of the computer.



16 In the installer menu window, click [Quit] to close the window.

17 Make sure that the Minolta PageWorks/Pro 18 printer icon is displayed in the Printers dialog. Click [Start], point to Settings, and then click [Printers] to display the Printers dialog.



This completes the installation of the printer driver

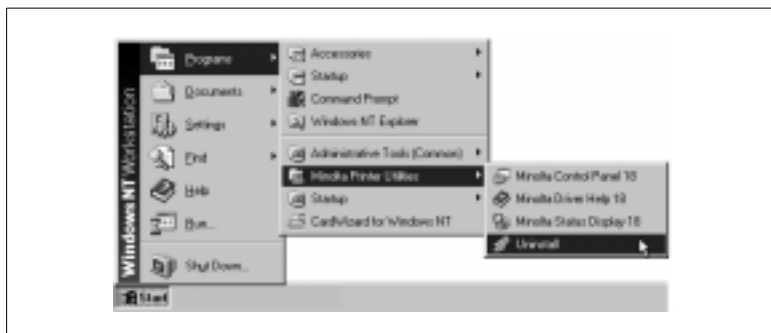


NOTE

- The Additional Options dialog does not appear when the printer is designated as a “Network Printer” in the second dialog of the installation procedure.
- The printer driver must be installed using the CD-ROM's Setup.exe. Do not use the Add Printer wizard from the Printers folder.

To Uninstall the Printer Driver

- 1 Click the [Start] button, point to Programs, Minolta Printer Utilities, and then click Uninstall.

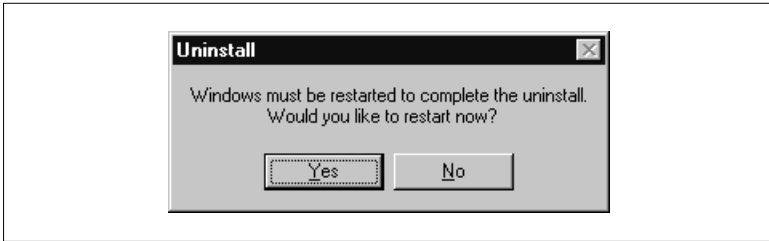


- 2 Select [Minolta PageWorks/Pro 18].



- 3 Click [Uninstall] to proceed with the uninstall operation or [Cancel] to abort.

- 4 In the next dialog that appears, click [Yes] to restart the computer.

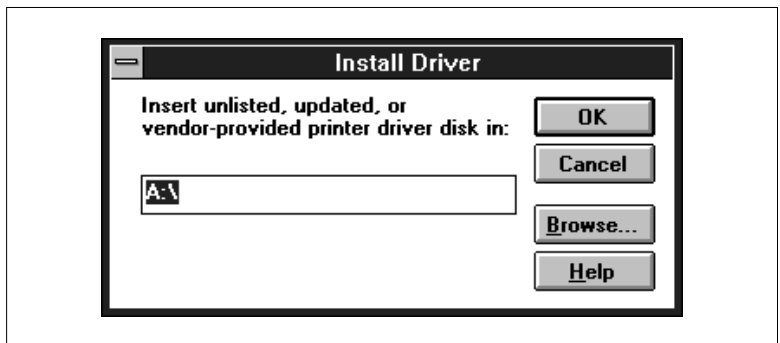


5.4 Installing the Printer Driver Under Windows 3.1

This section provides information on installing the printer driver on a computer running Windows 3.1. It also tells you how to uninstall the printer driver when necessary.

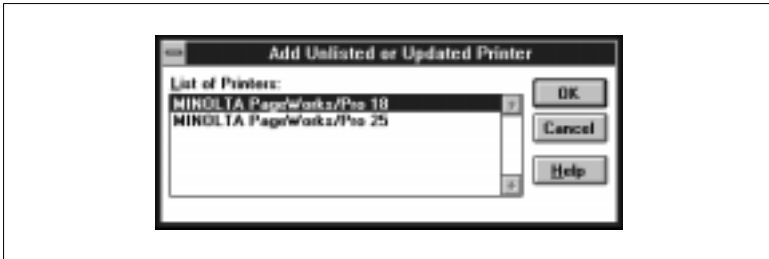
To Install the Printer Driver

- 1 Turn on your computer and start up Windows 3.1.
- 2 Insert the Printer Driver CD-ROM into your computer's CD-ROM drive.
- 3 In this example, we will assume that D: is the name of the CD-ROM drive.
- 4 Double-click the Control Panel icon which is located in the Main group within the Program Manager.
- 5 In the Control Panel dialog, double-click Printers to display the Printers dialog box and then click the [Add>>] button to display the list of printers.
- 6 Select Install Unlisted or Updated Printer and click the [Install...] button.
- 7 In the Install Driver dialog box, click the [Browse...] button.



- 8 Browse to the CD-ROM drive and navigate to:
D:\DRIVER\WIN311\GB
- 9 Click [OK] in the Install Driver dialog box.

- 10 From the List of Printers box, select Minolta PageWorks/Pro 18, and then click [OK] to start installation and return to the Printers dialog box.

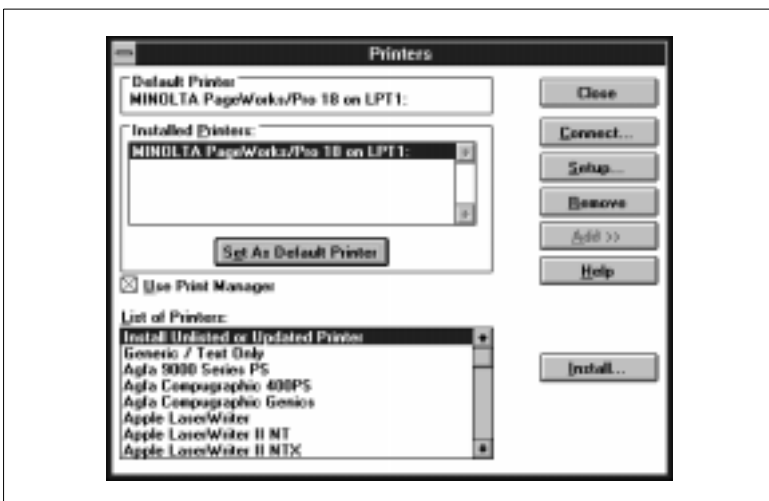


NOTE

- An error message may appear during installation of the printer driver informing you that a required UNIDRV.DLL file cannot be found. Should this occur, install a UniTool Driver such as HP LaserJet from the List of Printers box in the Printers dialog. After installing the UniTool Driver, reinstall the driver for the PageWorks/Pro 18.

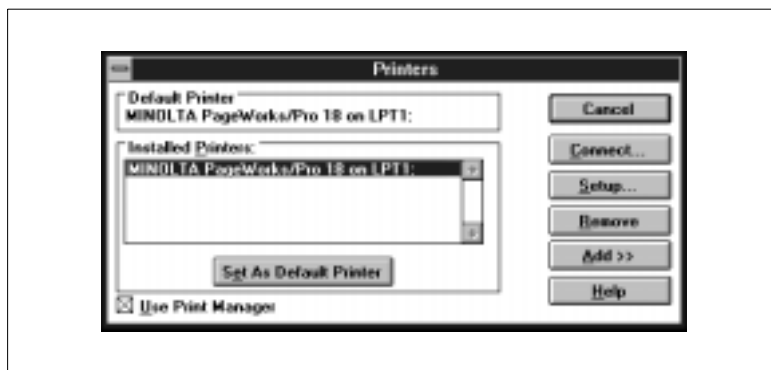
- 11 Click the [Set As Default Printer] button so that this printer is selected whenever you begin using your Windows software.

- 12 Click [Close] to finish the installation procedure.

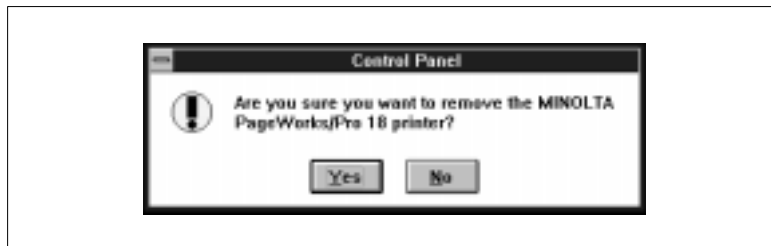


To Uninstall the Printer Driver

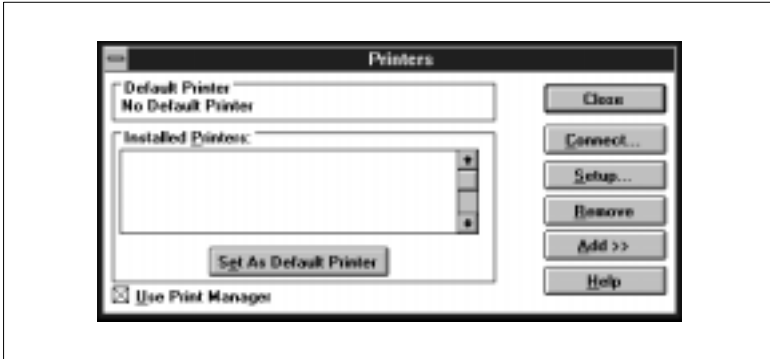
- 1 Turn on the computer and open Windows 3.1.
- 2 Go to the Program Manager and double-click Main to display the Main group, then double-click Control Panel to display the Control Panel dialog.
- 3 Double click Printers to display the Printers dialog box.
- 4 Select MINOLTA PageWorks/Pro 18 from the Installed Printers menu and click [Remove]. A confirmation message will appear to confirm your selection.



- 5 Click [Yes] to remove the printer driver. The Printers dialog box reappears after the printer driver is removed.



- 6 Click [Close] to close the Printers dialog box.

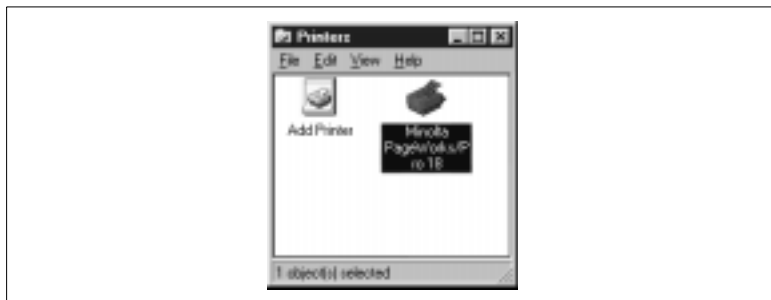


5.5 Displaying the Driver Setup Dialog (Windows 95/98/NT 4.0)

Use the following procedure to display the driver setup dialog under Windows 95, Windows 98 or Windows NT 4.0.

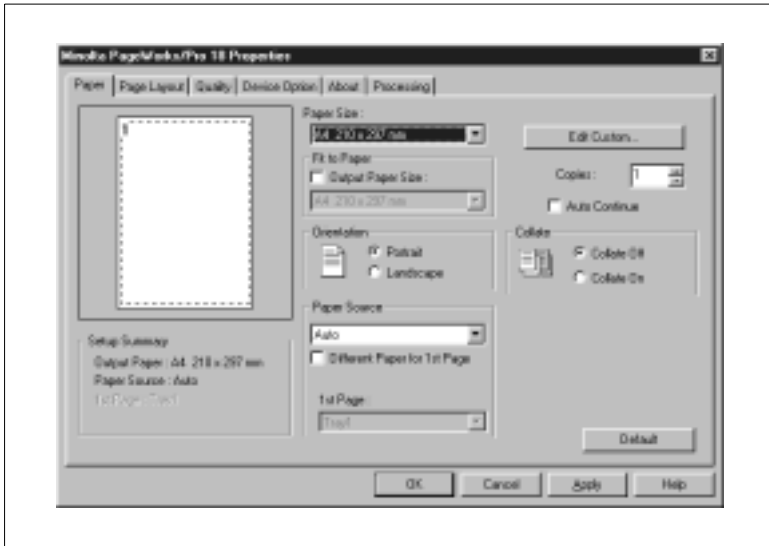
To Display the Driver Setup Dialog Under Windows 95/98

- 1 Click Start, point to Settings, and then click Printers to display the Printers dialog.
- 2 In the Printers dialog, click the Minolta PageWorks/Pro 18 icon.



- 3 In the Printers dialog, select Properties from the File menu.
- 4 On the [32-bit SuperDriver Setup] tab of the Properties dialog, the following window appears.

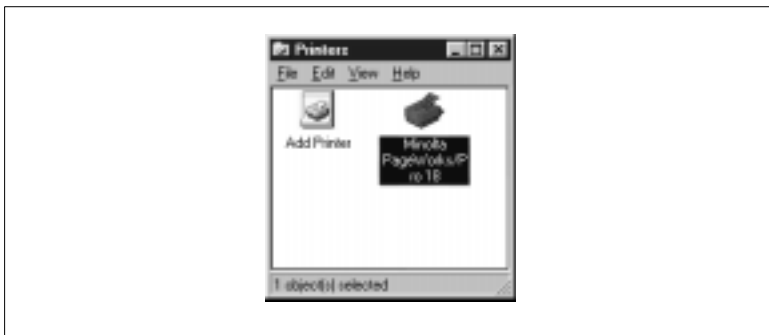




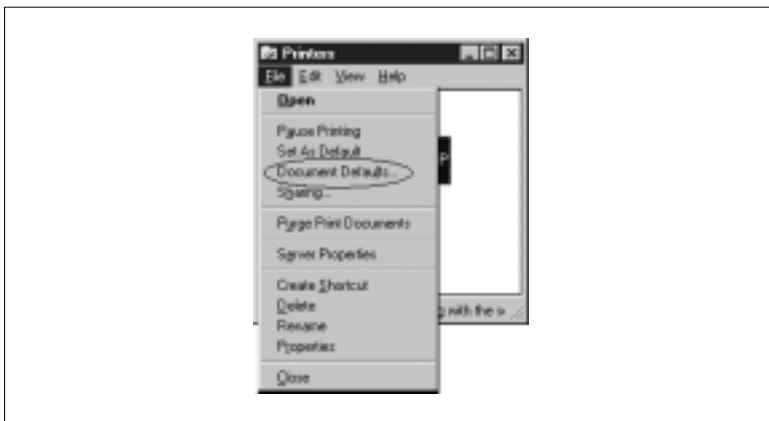
- 5 To enter driver settings, see page 5-23 “Using the Printer Driver Under Windows 95/98/NT 4.0”.

To Display the Driver Setup Dialog Under Windows NT 4.0

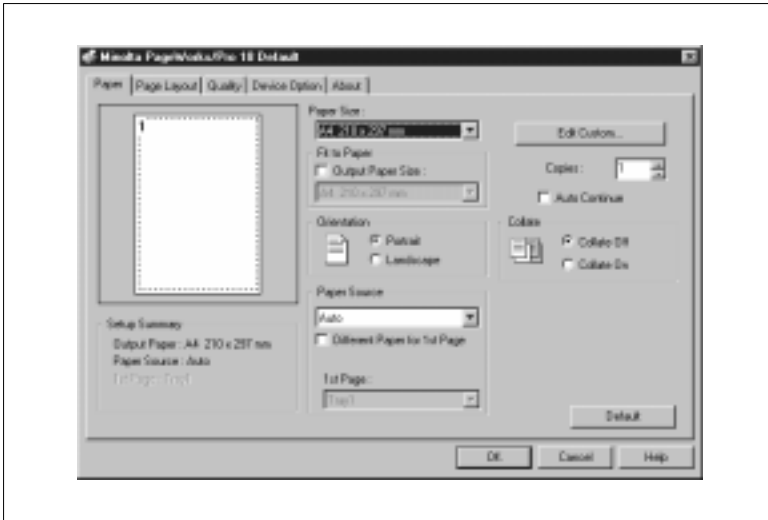
- 1 Click Start, point to Settings, and then click Printers to display the Printers dialog.
- 2 In the Printers dialog, click the Minolta PageWorks/Pro 18 icon.



- 3 In the Printers dialog, select Document Defaults... from the File menu.



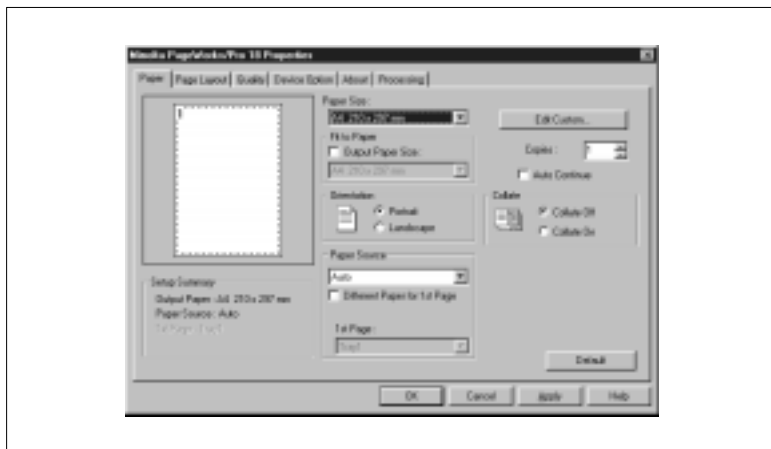
- 4 The following window appears. To enter driver settings, see page 5-23 “Using the Printer Driver Under Windows 95/98/NT 4.0”.



5.6 Using the Printer Driver Under Windows 95/98/NT 4.0

The features of the printer driver allow you to control a wide variety of printer parameters from your computer. The following sections provide an overview of the printer driver's properties.

The settings that are specified in the Properties dialog will become the default settings for the printer driver. The dialog is opened from the Windows 95/98/NT 4.0 Printers folder.



NOTE

→ The screen images that appear in this section show the printer driver operating in a Windows 95-based environment.

● Common Buttons

The following buttons appear at the bottom of each tab.

[OK]

Click to exit the properties dialog, saving any changes made.

[Cancel]

Click to exit the properties dialog without saving any changes made.

[Apply]

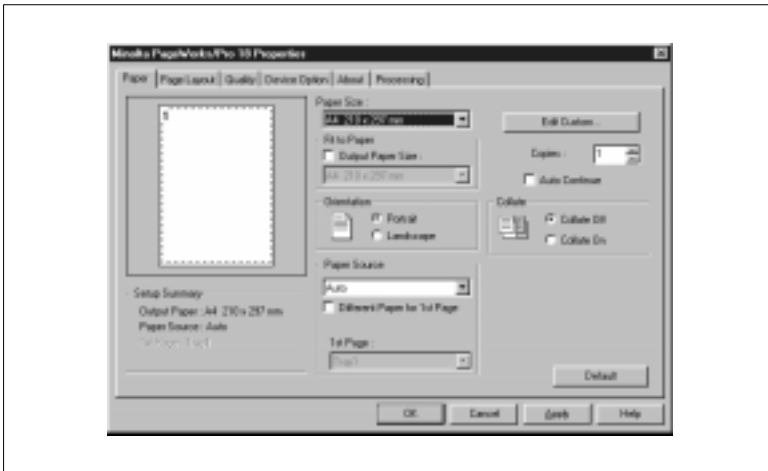
Click to save all changes without exiting the properties dialog.

[Help]

Click to view online help.

Paper

The Paper tab contains functions that effect the format and output of your printed documents.



- Paper Size

The various sizes of paper that are supported by your printer are displayed in the drop-down list. Select the appropriate size or add a custom size (see Edit Custom...).

Paper

Letter	8 1/2 x 11 inches
Legal	8 1/2 x 14 inches
Executive	7 1/4 x 10 1/2 inches
A4	210 x 297 mm
A5	148 x 210 mm
JIS B5	182 x 257 mm
Custom	*

* See the following section for details regarding custom paper sizes.

Envelopes

COM10	4 1/8 x 9 1/2 inches
DL	110 x 220 mm
C5	162 x 229 mm
B5	176 x 250 mm
Monarch	3 7/8 x 7 1/2 inches

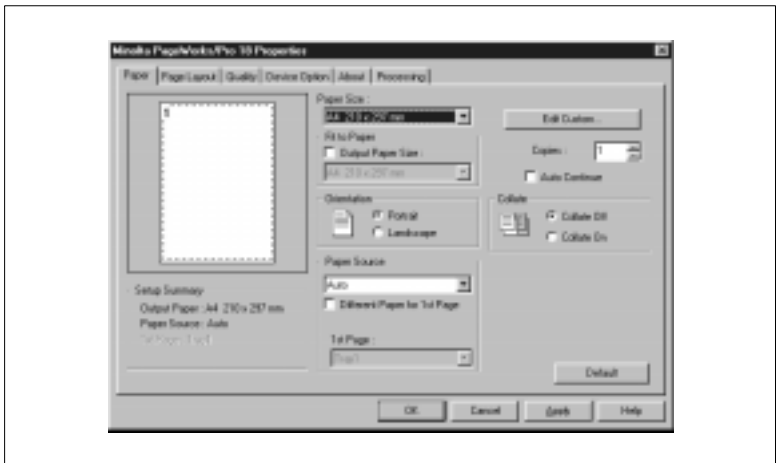
- [Edit Custom...]

Click this button to open a dialog that allows you to modify your printer to support custom paper sizes.

Minimum and maximum dimensions for custom paper
88.0 to 216.0 x 152.0 to 356.0 mm (3 1/2 to 8 1/2 x 6 to 14 inches)



To add a custom paper size, click the [Add] button. An entry will be made into the list above the [Add] button. Enter the name of the custom size into the Name field. Next, enter the dimensions for width and height into the appropriate boxes. Be sure to specify either inches or centimeters and click [OK]. The custom size will be added to the Paper Size drop-down list.



- **Fit to Paper**
Check the Output Paper Size box to automatically size your document to the space available relative to the selected paper size. Be sure to specify the size of the paper used for printing in the drop-down list.



NOTE

- The Fit to Paper feature cannot be used when printing N-up documents.
-

- **Copies**
This item specifies the number of copies to be printed. You can specify any value from 1 to 999.
- **Auto Continue**
When Auto Continue is on, the printer automatically resumes printing after most errors. When it is off, the printer waits for you to press the printer button on the front of the printer before it resumes printing.
- **Orientation**
This setting allows you to determine how your document is positioned on the printed page (see Portrait and Landscape).
- **Portrait**
Portrait documents are printed lengthwise (vertically), relative to the page.
- **Landscape**
Landscape documents are printed widthwise (horizontally), relative to the page.
- **Collate**
The Collate feature supports multi-document printing (when the number of copies being output is two or more). The Off setting is a group mode (1,1,1...2,2,2...3,3,3). When the Collate setting is On, documents are sorted as they are output (1,2,3...1,2,3...1,2,3).



NOTE

- Make sure that the Collate function of other applications is set to off.
-

- Paper Source

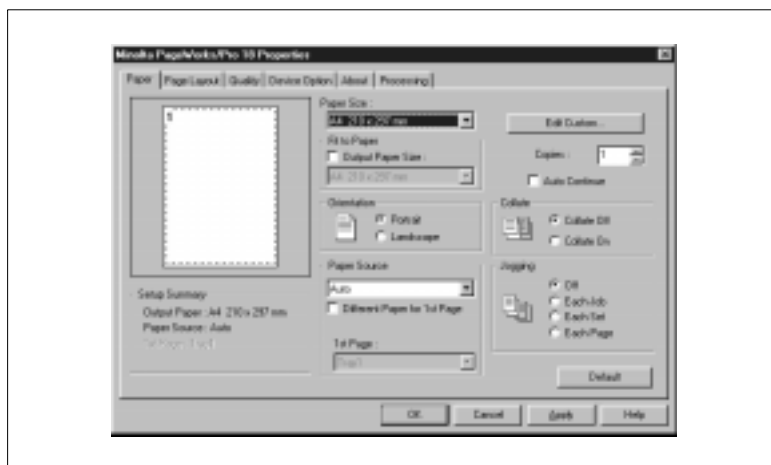
The Paper Source item specifies the tray from which paper is fed from the printer. To change this setting, just select the desired paper source from the drop-down list. If the desired tray is an option and does not appear as a paper source, make sure that it has been added in the Device Option tab.

You can specify to print the first of a multi-page document from a tray separate from the rest of the document. To specify a first page from a separate tray, check the Different paper for 1st page box and select the desired tray from the 1st Page drop-down list.



NOTE

- When Paper Source is set to Tray1, the paper size set in the printer driver must match the Tray1 Paper Size in the Tray1 Setting of the Control Panel, otherwise a Size Mismatch error will occur. For details, see page 6-3 “Using the Control Panel”.



- Jogging

If Jogging Tray was inadvertently checked during the installation of the printer driver, it will appear in the printer driver's Paper tab. This printer does not support jogging tray compatibility. If necessary, remove the jogging tray item from the printer driver's interface by specifying it as uninstalled in the Device Options tab.

- [Default]
Click the [Default] button to reset the functions of the tab to their original values.

**NOTE**

- The Paper Size and Paper Source settings of other applications may override the settings made in the printer driver.
-

Page Layout

The Page Layout tab contains a realtime graphic mirror of most driver settings as well as the following features.



- **N-up**

The N-up settings allow you to print multiple documents on a single page. Click on the drop-down list to view the possible selections.

 - Off
This default setting specifies one document per sheet of paper.
 - 2 up
This setting will print two documents onto one sheet of paper.
 - 4 up
This setting will print four documents onto one sheet of paper.
 - 6 up
This setting will print six documents onto one sheet of paper.
 - 9 up
This setting will print nine documents onto one sheet of paper.
 - 16 up
This setting will print sixteen documents onto one sheet of paper.

You can place a border between N-up documents by checking the Border Line box.

- N-up Window

Click on the [Detail of N-up...] button to open a dialog that will allow you to specify the order in which N-up documents are placed on the page. There are four patterns to choose from: horizontal ascending, horizontal descending, vertical ascending and vertical descending.



NOTE

- ➔ The Scaling and Fit to Paper features of the printer driver cannot be used when printing N-up documents.
-

- Watermark

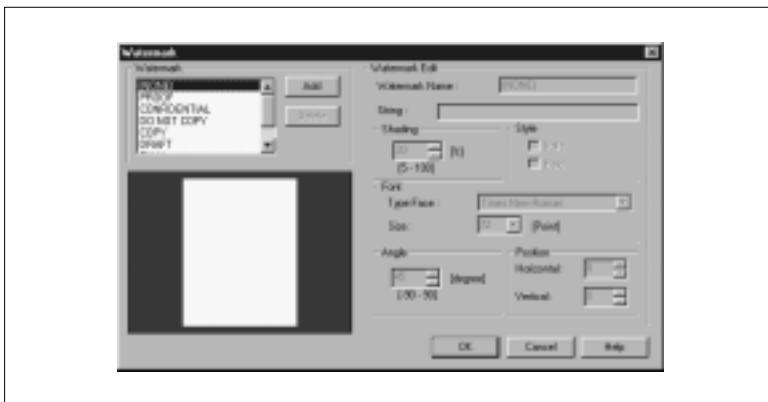
Watermarks are placed on a document to quickly alert the reader to the nature of its content. For example: CONFIDENTIAL, DRAFT, etc. Through the driver, you can specify several guidelines that effect the style, content and placement of watermarks.

The Watermark drop-down list catalogs the menu of watermarks that have been entered into the printer's memory. You can add and delete watermarks from this list through the Watermark pop-up dialog.

Watermarks can be specified to appear on the first page only of a multi-page document by clicking the First Page only box. Otherwise, a watermark that is specified to appear will be placed on every page of the multi-page document.

When the In Background box is checked, watermarks will appear as shadow-text behind the actual content of the document. When the In Background box is not checked, watermarks are superimposed over the actual content of the document.

- **Watermark (pop-up dialog)**
To open the dialog, click the [Edit Watermark...] button.



The dialog contains the watermark drop-down list that appeared in the Page Layout tab. Through the Watermark pop-up dialog, you can add and remove watermarks from the list.

To Add a Watermark

Click the [Add] button to open the Watermark Edit dialog.

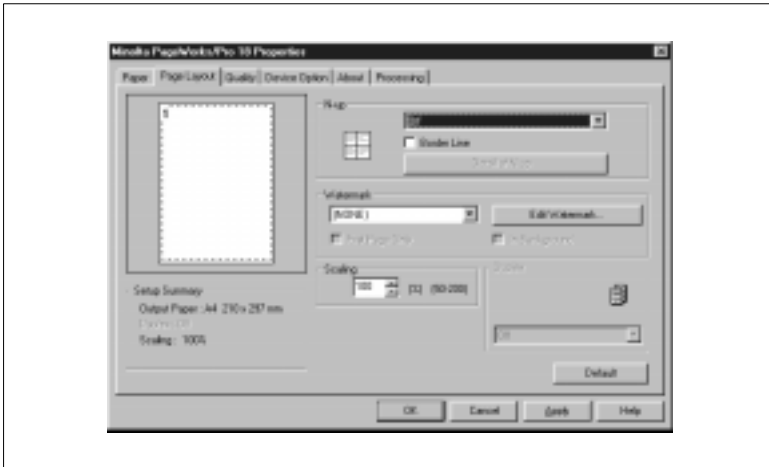
- **Watermark Name**
The name that you wish to use to identify the watermark in the Watermark list is entered here.
 - String**
The contents of the watermark that you wish to create are entered here.
 - Shading**
The density of the watermark that will appear on the document is specified here.
 - Style**
These settings can be used to specify the style of the watermark's font.
 - Font**
The typeface and size of the watermark is specified here.
 - Angle**
Rotate the angle of the watermark's placement through the value specified in this box.
 - Position**
Adjust the vertical and horizontal values to position the watermark on the document.

To Remove a Watermark from the List

Select the watermark that you wish to remove from the list, click the [Delete] button and click [OK].

To Edit a Watermark

To edit a watermark that appears on the list, select it and change the settings, then click [OK].



- Scaling



NOTE

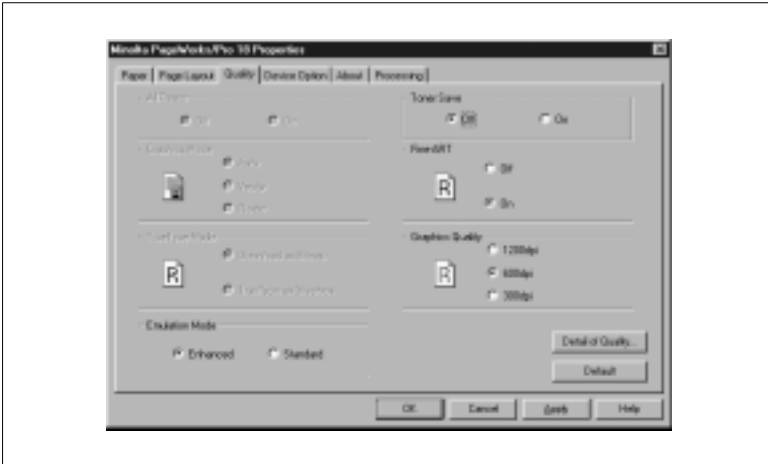
→ The Scaling feature of the printer driver cannot be used when printing N-up documents.

You can adjust the area of a document through the Scaling feature. The maximum percentage of enlargement is 200. The maximum percentage of reduction is 50.

- Duplex
The Duplex feature enables your printer to support double-sided printing. From the drop-down list, select Short Edge Binding to print documents in a calendar-style format, Long Edge Binding to print documents in a book-style format, or Off for one-sided printing. The Duplex setting can only be specified when the optional Duplex unit is added to the Installed Options list in the Device Option tab.
- Default
Click the [Default] button to reset the functions of the tab to their original values.

Quality

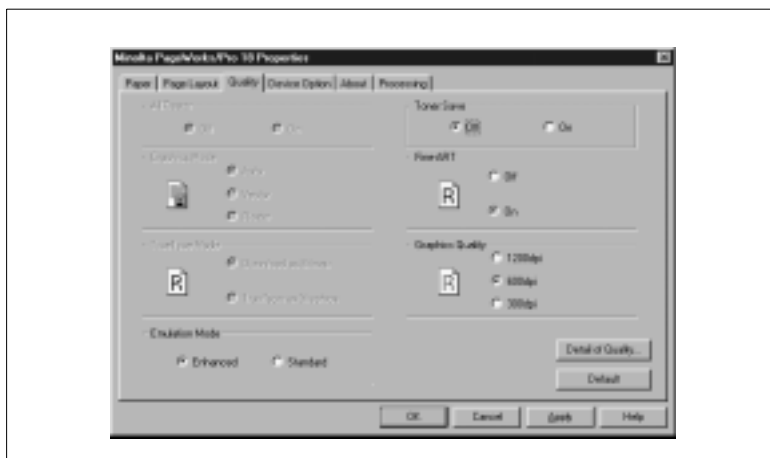
The Quality tab allows you to make setting changes that enhance the graphic quality of your printed documents.



- **All Raster**
 Raster images consist of dots or pixels that are arranged in rows (bit-maps).
 Set to Off, All Raster allows you to select from the settings in the Graphics Mode box and the TrueType Mode box. Set to On, all print data is “rasterized” before being sent to the printer.
- **Toner Save**
 This option helps to reduce your printing costs by conserving toner when printing rough drafts or sample documents.
 - Off
 Normal amounts of toner are consumed during printing.
 - On
 Documents are printed using minimal amounts of toner. Lighter images and text may be noticed.
- **Graphics Mode**
 These settings control the format used to print graphic images. The Vector setting handles images as vectors or sets of short line segments. Images downloaded as vectors provide faster printing. The Vector setting should be ideal for most printing applications. Enabling rasters sends graphic images to the printer as bitmaps. Longer printing time may be noticed when Raster is selected. However, if you notice a difference in the image that appears in the monitor and the image that is generated by the printer, you might try enabling the Raster setting.

The Auto mode for this setting will empower the printer to automatically select the graphics mode that is most suited to the application.

- **Fine-ART**
The Fine-ART settings allow you to optimize the print quality of the text and graphic images of a document.
The default for Fine-ART (On) should be ideal for most general purposes of the printer. However, the Off setting is recommended when printing photographs and similar images.
- **TrueType Mode**
These settings control the format in which images are downloaded to the printer. When enabled, the default for this mode is Download as Bitmap, which supports good quality, high-speed printing for most applications.
- **Graphic Quality**
The graphic quality setting determines the resolution used when a document is printed.
When Fine-ART is set to Off, the 1200 dpi printing resolution is available.



- **Emulation Mode**
 - Enhanced
This mode provides PCL6 compatibility.
 - Standard
This mode provides PCL5 compatibility.



NOTE

→ All Raster, Graphics Mode and TrueType Mode are unavailable when the Emulation Mode is set to Enhanced.

- [Default]
Click the [Default] button to reset the functions of the tab to their original values.
- [Detail of Quality...]
Click this button to open the Graphics pop-up dialog.

Graphics (pop-up dialog)

The Graphics dialog contains two advanced settings, Dither Pattern and Adjustment.



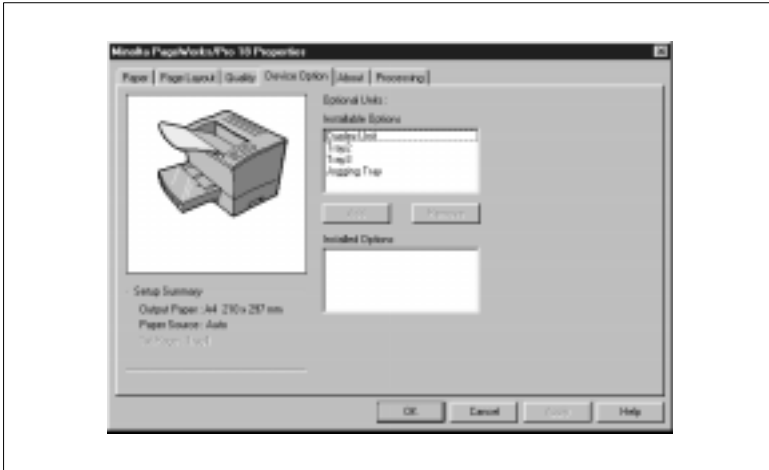
- **Dither Pattern**

Dithering can be used to improve the texture of graphics. Changing the dither pattern will affect the gray tones and shadowing of an image. Open the drop-down list and select from the available dither patterns. A sample of the pattern will appear in the small window to the left. Documents that have been generated in the Fine mode may appear too dark when faxed or copied (depending upon the performance of your fax machine or copier). Select the Photocopy mode when printing documents that you intend to photocopy or send as a fax. The Fine mode is recommended for all other documents.
- **Adjustment**

The sliders can be used to control the tones and lighting of an image in terms of Contrast and Brightness. Usually, the median values toward the center of the bars will provide the best display. To fine tune these settings, click and hold on the sliders in order to make left and right adjustments.

Device Option

The auxiliary accessories that are available for installation appear in this tab.



To add an available option from the Installable Options list to the Installed Options list, select the option and click the [Add] button.

The Installed Options list catalogs the optional accessories that have been added to your printer.

To remove an option from the Installed Options list, select the option and click the [Remove] button.

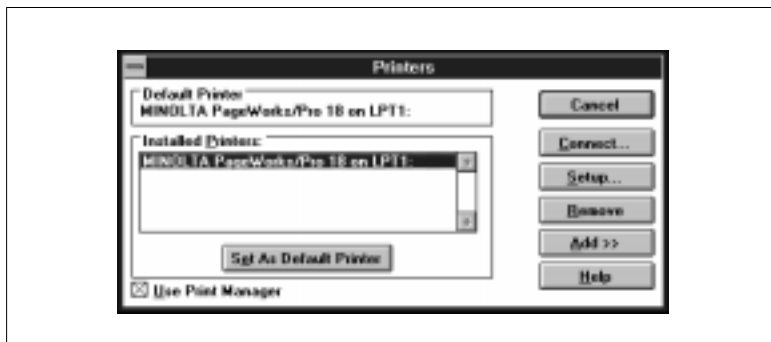
Removed options can be reinstalled using the previous procedure.

About

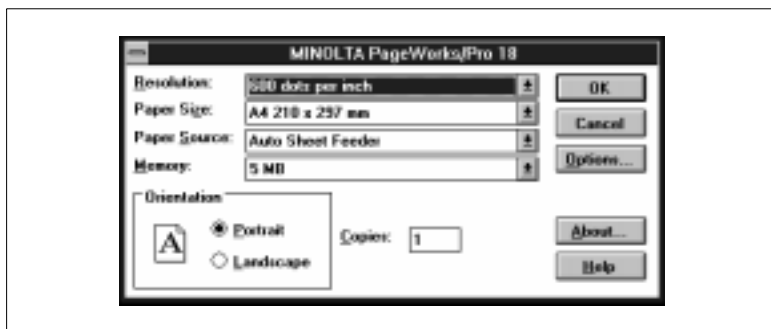
This tab displays version and copyright information about this printer driver.

5.7 Displaying the Driver Setup Dialog (Windows 3.1)

- 1 Double-click the Control Panel icon which is located in the Main group within the Program Manager.
- 2 In the Control Panel dialog, double-click Printers to display the Printers dialog box.
- 3 In the Installed Printers list, click the MINOLTA PageWorks/Pro 18 item to select it.



- 4 Click [Setup...], which displays the Setup dialog for the printer you selected.
- 5 To enter PageWorks/Pro 18 driver settings, use the procedure under "Using the Printer Driver Under Windows 3.1", see page 5-40.



5.8 Using the Printer Driver Under Windows 3.1

The Minolta PageWorks/Pro 18 printer driver lets you control a number of printer parameters from your computer. The following describes how to use the PageWorks/Pro 18 driver under Windows 3.1 and provides brief explanations on the settings you can make. See the printer driver's on-line help for full details about each setting.

- Common Buttons

The following buttons appear at the bottom of the window.

[OK]

Click to exit the dialog, saving any changes made.

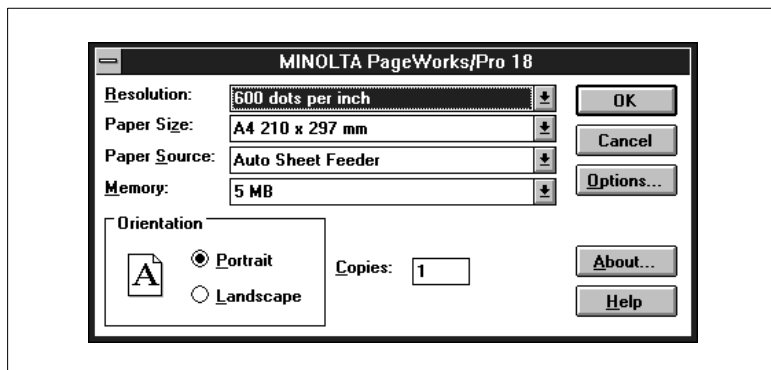
[Cancel]

Click to exit the dialog without saving any changes made.

[Help]

Click to view on-line help.

Settings



- **Resolution**
This item displays the resolution setting of the printer driver as measured in dots per inch (DPI).
- **Paper Size**
This item allows you to specify the sizes of paper and envelopes that you are using. The range of possible sizes is:

Paper

Letter	8 1/2 x 11 inches
Legal	8 1/2 x 14 inches
Executive	7 1/4 x 10 1/2 inches
A4	210 x 297 mm
A5	8 1/2 x 14 inches
JIS B5	7 1/4 x 10 1/2 inches

Envelopes

COM10	4 1/8 x 9 1/2 inches
DL	110 x 220 mm
C5	162 x 229 mm
B5	176 x 250 mm
Monarch	3 7/8 x 7 1/2 inches

- **Paper Source**

This item specifies the tray from which paper is fed from the printer. To change this setting, just select the desired paper source from the drop-down list.

By setting the paper source to Auto Sheet Feeder, the printer will automatically select the paper source according to the paper size to be printed in the priority order of Tray 1, Tray 2, Tray 3.

Special paper (transparencies, labels, envelopes, letterhead, postcards or thick paper) must be fed to the printer through Tray 1.

When Manual Feed is set, the ready and paper indicators will appear lit on the control panel of the printer.

Insert the specified size of paper onto the manual feed unit and press the [panel] button to start printing.
- **Memory**

This item specifies the amount of memory that is installed in the host computer that will be used by the printer driver.
- **Orientation**

This setting allows you to determine how your document is positioned on the printed page (see Portrait and Landscape).
- **Portrait**

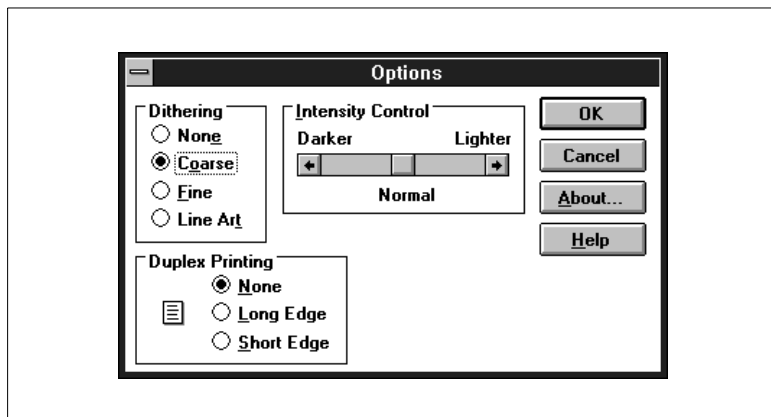
Portrait documents are printed lengthwise (vertically), relative to the page.
- **Landscape**

Landscape documents are printed widthwise (horizontally), relative to the page.
- **Copies**

This item specifies the number of copies to be printed. You can specify any value from 1 to 999.

Options...

Click this button to display the dialog shown below.



- **Dithering**

Dithering can be used to improve the texture of graphics. Changing the dither settings will affect the gray tones and shadowing of an image.

None
Dithering effects are disabled by this setting. Graphics are printed in black and white without gray shading when None is selected.

Coarse
Coarse is recommended when printing gray or halftones.

Fine
This setting accentuates dithering effects. Fine is not recommended when printing halftone images as this setting may cause them to appear too dark.

Line Art
Use this setting for your documents that contain well-defined borders. This setting is not recommended when printing photographs or other images that contain intermingling intensities and hues.

- **Duplex Printing**
Duplex printing allows you to generate documents utilizing both the front and back sides of a sheet of paper. It is necessary to install the optional Duplex Unit onto the printer in order to perform duplex printing.

None

Duplex printing is not enabled.

Long Edge

This setting produces duplex documents that are oriented to be bound by their long edges.

Short Edge

This setting produces duplex documents that are oriented to be bound by their short edges.



NOTE

- Do not use special paper (transparencies, labels, envelopes, letterhead, postcards or thick paper) and paper sizes smaller than A5 for printing duplex documents.
-

- **Intensity Control**
Use this setting to control the dark and light qualities of printed images. Move the scroll bar towards Lighter to gradually decrease, or towards Darker to increase the darkness of an image.

5.9 DOS Printing Utilities

Installing the Printer Driver Under DOS

Use the following procedure to install the DOS Printing Utilities.

- 1 Connect your printer to the parallel port of your computer.
- 2 Turn on your computer and start up DOS.
- 3 Turn on your printer and make sure it is online.
- 4 Insert the Printer Driver CD-ROM into your computer's CD-ROM drive.
- 5 In this example, we will assume that D: is the name of the CD-ROM drive.
`C:\>D:`
- 7 Specify the directory under which the DOS printing utility is located:
`D:\>CD DRIVER\DOSUTLTY\GB`
- 8 Type install and press the Enter key.
`D:\DRIVER\DOSUTLTY\GB\>INSTALL`
- 9 The installer will automatically execute and the following message will be displayed:

*SETUP WILL INSTALL DOS UTILITY IN THE FOLLOWING DIRECTORY.
C:\PP18
1. TO INSTALL TO THIS DIRECTORY.
2. TO INSTALL TO A DIFFERENT DIRECTORY.
3. EXIT SETUP.
ENTER A CHOICE : 1*

Select item 1 under Enter a choice to install the utility into the recommended directory or item 2 to install it into a different directory.

Loading and Unloading the Status Display

If you choose to add status to your Autoexec.bat file, the Status Display is loaded and becomes resident in your computer's memory. The Status Display will appear automatically whenever you start up your computer. The following explains the procedure you should use to manually load the Status Display, how to remove the Status Display from the memory, and how to change a variety of Status Display settings.

To Load the Status Display From the DOS Prompt

Type the following at the DOS prompt to display the Status Display screen:

- 1 Change to the directory you created under “Installing the Printer Driver Under DOS”, see page 5-45. Type: `CD C:\PP18`

If you used the directory name we showed in our installation example, type in the command exactly as shown above. If you used a different directory name, change PP18 to the name you used.

- 2 Type the following command at the DOS prompt. Type: `STATUS`

To Remove the Status Display From Memory

Type the following at the DOS prompt: `STATUS /D`



NOTE

- You should use the above step to remove the Status Display from memory if the Status Display is interfering with one of your other software applications or if you need to free up the memory used by the Status Display.
-

5.10 Accessing the Printer Control Panel

To Access the Printer Control Panel

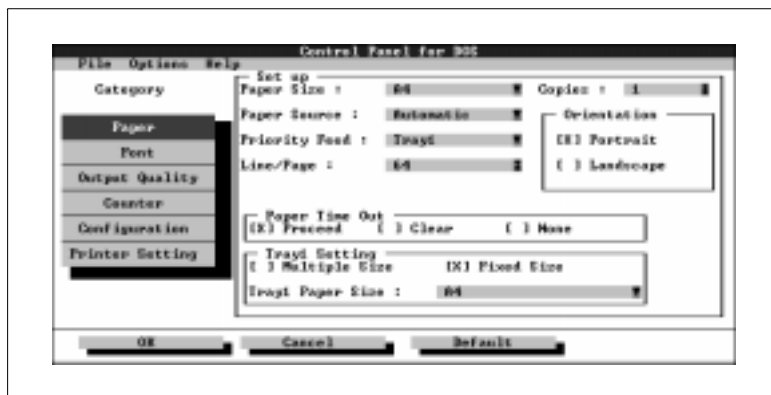
Type the following at the DOS prompt to access the Printer Control Panel:

- 1 Change to the directory you created under "Installing the Printer Driver Under DOS", see page 5-45. Type: `CD C:\PP18`

If you used the directory name we showed in our installation example, type in the command exactly as shown above. If you used a different directory name, change PP18 to the name you used.

- 2 Type the following command at the DOS prompt. Type: `DOSPANEL`

After the Printer Control Panel finishes reading the printer profile, the Page Setup window appears.



For details on getting around in the Printer Control Panel windows, see page 5-48.

To Exit the Printer Control Panel

Select Exit from the File menu.

5.11 Using the Printer Control Panel

The Printer Control Panel lets you control the printer from your computer. This section tells you how to maneuver around the Printer Control Panel, change its settings, and save printer setups as profiles.



NOTE

→ You can find further information on using the Printer Control Panel by using its Help menu to access the online help files.

Getting Around in the Printer Control Panel

Use the following key operations to get around the Printer Control Panel and make the settings you want.

- Use the Tab key to move the selection cursor to the control buttons on the left side of the Printer Control Panel Screen. Once the selection cursor is in place, use the <up> and <down> arrow keys to press the desired button.
- To move the selection cursor between the menu bar at the top of the window and the selections inside of the displayed screen, press Esc.
- To select a menu, use Esc to move the selection cursor to the menu bar and then use the <-> and <-> arrow keys to move the cursor left and right between menus.
- To pull down a menu, first select the menu and then press the <down> arrow key.
- To select an item inside of a menu, first pull down the menu and then use the <up> and <down> arrow keys to highlight the item you want. Next, press Enter to execute the item.
- To change a setting inside of a screen, use Tab to move the selection cursor between items. When an item is selected, use <up> and <down> to change its setting.

To Print a Test Page or Demo Page

Select the test or demo page you want to print from the Options menu.

To Register Installed Options

Select Device Option from the Options Menu to register or update the options that have been installed on your printer. Installed options must be registered in order for them to become available at the host computer.

Printer Control Panel Screens

This section describes the settings that are available in the Printer Control Panel Screens.

- Common Buttons

OK

Select this button to export the current settings to the printer.

Cancel

Select this button to restore all fields to their previous settings without updating the printer profile.

Default

Select this button to return all fields to their default settings.

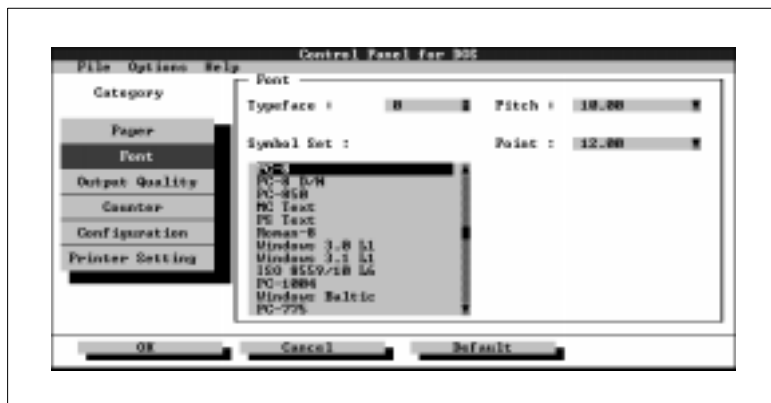
Paper Screen



- Paper Size
Use this list to specify either paper or envelopes for printing, and the size of each.
- Paper Source
Use this setting to specify whether the printer automatically selects the paper tray for feeding, whether paper should be fed from a designated tray or whether paper will be fed manually.
- Priority Feed
Use this setting to specify Tray 1, Tray 2 or Tray 3 as the priority tray. The priority tray is the one that the printer feeds from when the paper source setting is Automatic or if the same size paper is loaded in all trays.
- Line/Page
Use this setting to specify the number of lines that should be printed on each page.

- **Copies**
Use this setting to specify how many copies of the document should be printed within a range of 1 to 999. The default setting is 1.
- **Orientation**
Select the paper orientation setting you want to use. The default is Portrait.
- **Paper Time Out**
During manual feeding of paper, the printer pauses during printing to wait for you to feed the next sheet. The “paper time out” condition exists when the printer is paused and nothing happens for about 10 minutes.
 - Proceed
Paper is automatically fed from another paper tray.
 - Clear
The print job is cleared (cancelled).
 - None
The printer continues to wait until you feed paper or manually cancel the print job.
- **Tray1 Setting**
Specify whether Tray 1 is a multi-purpose (Multiple Size) tray or a fixed-size tray. When Multiple Size is selected, a size mismatch error (Load XX) does not occur regardless of the size of paper loaded in Tray 1. Multiple Size is a convenient setting for printing documents on various sizes of paper from Tray 1. When Fixed Size is selected, you must specify the size you want in the Tray 1 Paper Size drop-down list.

Font Selection Screen



- **Typeface**
Select the typeface you want to use from this list.
- **Pitch/Point**
Specify the type size you want to use, either by scrolling the value in the upper box or by selecting a value from the lower box. The values indicate points for proportional fonts and inches for fixed pitch fonts.



NOTE

→ When Typeface is set to Courier, 99.99 is the maximum pitch possible.

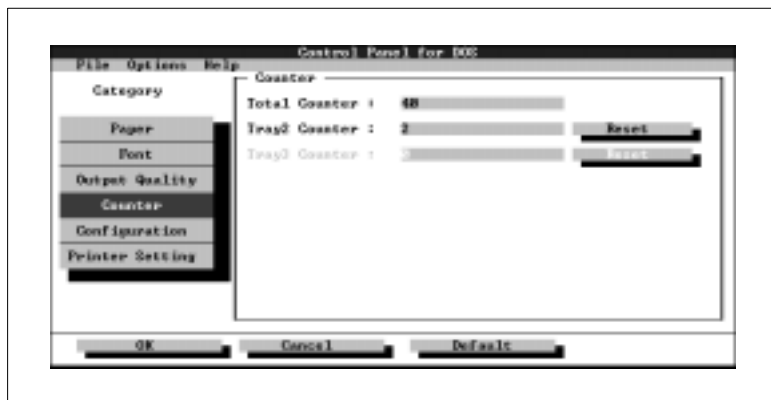
- **Symbol Set**
Select the symbol set for the typeface you are using.

Output Quality Screen



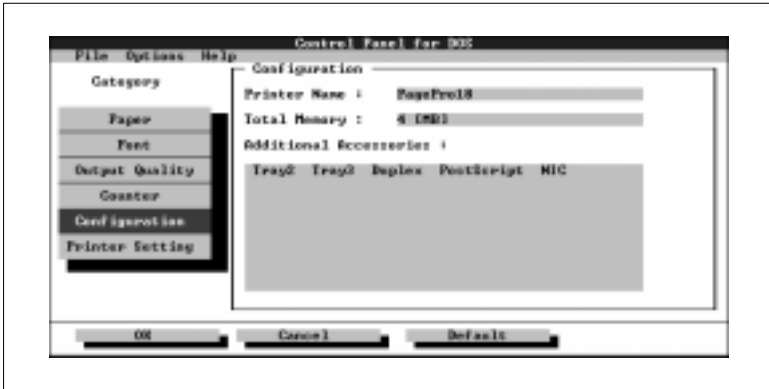
- **Toner Save**
Specify On or Off for the toner save setting. Turning toner saving on uses less toner for printing and helps toner cartridges to last longer. The Off setting produces normal output and toner usage, while On uses less toner but prints lighter.
- **Fine ART**
Specify Off or On for the Fine ART setting. Turning Fine ART on smooths out jagged edges of text and graphics for very high quality printing. The default setting for Fine ART is Off, which is generally acceptable for most applications. Fine ART controls the size of dots along the edges of text, lines, and graphics so you might want to change the setting if edges appear too light or dark. Some graphics that include gray shading or a screen pattern are improved by turning Fine ART off.
- **Print Language**
The printer language defines how the computer communicates with the printer. If you select Automatic, the printer language will change automatically.

Counter Screen



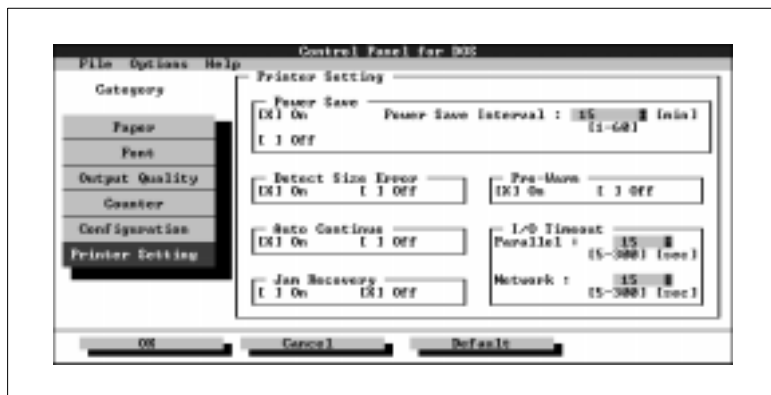
- **Total Counter**
This value shows how many pages have been printed throughout the life of the printer. This value cannot be reset.
- **Tray 2 Counter**
This value shows how many pages have been printed from Tray 2. This value can be reset to zero by clicking the [Reset] button.
- **Tray 3 Counter**
This value shows how many pages have been printed from Tray 3. This value can be reset to zero by clicking the [Reset] button.

Configuration Screen



- **Printer Name**
This box shows the name assigned to the connected printer.
- **Total Memory**
This box shows how much memory is installed on the printer.
- **Additional Accessories**
This box shows any additional accessories installed on the printer.

Printer Setting Screen



- **Power Save**
Specify On or Off for the Power save setting. Turning power save on causes the printer to enter a “sleep” mode whenever it is idle for the period of time specified by the power save interval.
- **Power Save Interval**
Specify the amount of time in minutes that the printer should wait before entering its “sleep” mode.
- **Detect Size Error**
A size error occurs when the actual paper size is different from the paper size specified in the printer driver. Use this setting to turn the size error detection on and off.
- **Auto Continue**
Auto continue lets the printer automatically recover from printer overrun and memory overflow errors. Use this setting to turn auto continue on and off.
- **Jam Recovery**
When this control is On, the printer will save data in the event that the document should jam before it is output. Data is not saved when this control is set to Off.
- **Pre-Warm**
Select the On setting to preheat the printer’s fuser as soon as a print job is received from the host computer. The fuser will not warm up immediately after receiving a print job when Off is selected.
- **I/O Timeout**
Select Parallel when the printer is connected directly to the computer using a parallel cable. If the printer is being operated in a network environment, select Network.

5.12 Using the Status Display

This section describes how to display the Status Display and make changes in the operating environment of the Status Display.



To Display the Status Display

After the Status Display is loaded, perform the required hot key combination (a combination of keys you press at the same time to perform an operation) to display the Status Display. The following is the default hot key combination:

[ct]+[alt]+[R]

After the Status Display screen is displayed, you can change the hot key combination.

To select the Setup Menu, highlight Setup by pressing the Tab key and then press the Enter key. The Setup Menu will be displayed.

To select an item on the Status Display, first highlight it, then press the Enter key to advance to its setting screen.

The following is a brief explanation of the items that are available on the Status Display. Further information can be found in the Status Display's online help.

Status Display Screen

The following describes each of the buttons and the commands on the Status Display Setup menu.

- Set Display Mode Command (Setup Menu)

In the dialog that appears when you execute this command, click the checkbox next to the Enable Popup setting to toggle popup error messages on (checked) and off (unchecked). When this feature is turned on, a dialog box will appear to alert you whenever an error condition occurs.

When a popup error message occurs, correct the problem and then click OK.

You can control which error conditions cause popup error messages to appear by using the procedure under "Change Popup Message Command" below.

- Change Hot Key Command (Setup Menu)

The dialog that appears when you execute this command shows the current hot key combination that launches the Status Display. While the dialog is open, you can change the hot key combination by pressing the key you want to change.

- Change Popup Message Command (Setup Menu)

The dialog that appears when you execute this command contains a list of error conditions that cause popup error messages to appear. Error conditions marked Active cause a popup error message to appear when they occur, while no message appears for conditions marked Inactive. To toggle an error condition between Active and Inactive, highlight it and then press Enter.

- Close (button)

Select this button to close the Status Display screen. The Status Display remains in memory when you return to the DOS prompt. It can be removed by typing the following: `status /d`

- Help (button)

Select this button to display online help about the Status Display.

6 Printer Status Display and Control Panel

6.1 Using the Printer Status Display

The Printer Status Display provides you with a variety of useful information about the current status of your printer.

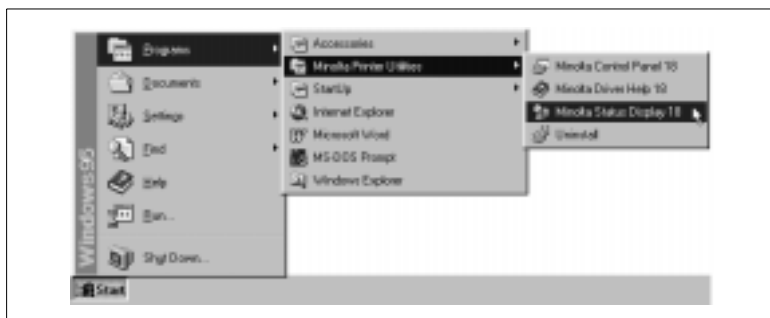
Opening the Printer Status Display

Before opening the Printer Status Display, make sure that the printer is connected to your computer with the parallel interface cable.



NOTE

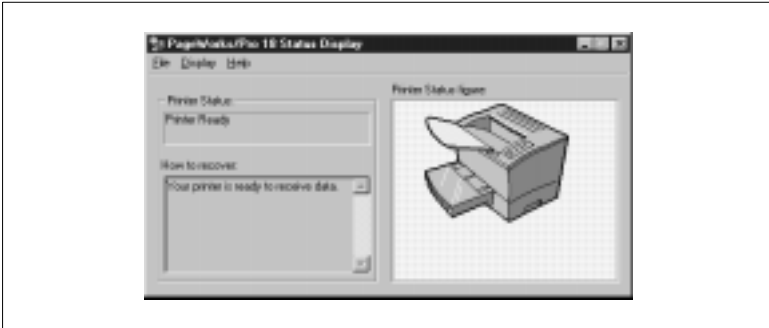
- The Printer Status Display opens automatically when you startup your computer if you checked the “Setup to start Status Display automatically” option when you installed the printer driver. If you did not select the above option, you must open the Printer Status Display using the procedure below.
- To Open the Printer Status Display
Click [Start], point to Programs, point to Minolta Printer Utilities, and then click Minolta Status Display 18.



This operation will open the screen which is shown on the next page.

- To Close the Printer Status Display
Click [Exit] from the Printer Status Display File menu.

Using the Printer Status Display



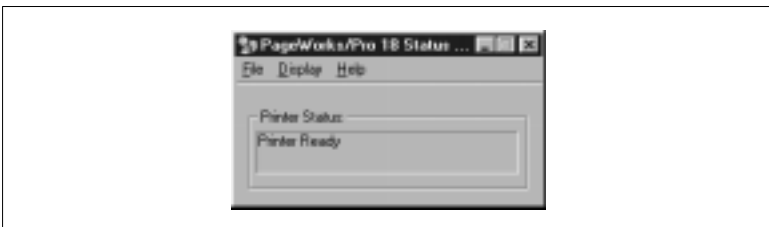
- **Printer Status**
This area displays text messages that describe the current operational status of the printer.
- **How to recover**
This area provides you with explanations of what you need to do in order to correct problems and recover from error conditions.
- **Printer Status figure**
This area shows a graphic representation of the printer and indicates where there is a problem.

Switching Between the Expanded and Reduced Views

You can use the following procedure to switch between the expanded and reduced views of the Printer Status Display.

On the Display menu, click Reduce to reduce the size of the display, or Expand to expand it.

The expanded view is the normal size shown under “Using the Printer Status Display”, see page 6-2. The reduced view is shown below.



On-line Help

Use the Help menu to display online help about the Status Display.

6.2 Using the Control Panel

The Control Panel displays the current settings of the printer on separate tabs. Click on a tab to view its contents or to change its settings.

The following sections show the contents of each of the tabs and provide brief explanations of each setting available. See the Control Panel on-line help for full details on each setting.



NOTE

- The following information is common to Windows 95/98 and Windows NT 4.0.



● Common Buttons

The following buttons appear at the bottom of all the tabs.

[OK]

Click to exit the Control Panel, saving any changes made.

[Cancel]

Click to exit the Control Panel, discarding any changes made.

[Set Default]

Click to return Control Panel settings to their defaults.

[Help]

Click to view on-line help.

[About]

Click to view copyright and version information.

Paper



- **Paper Time Out**
 During manual feeding of paper, the printer pauses during printing to wait for you to feed the next sheet. The “paper timer out” condition exists when the printer is paused and nothing happens for about 10 minutes.
 - Proceed
 Paper is automatically fed from another paper tray.
 - Clear
 Paper is automatically fed from another paper tray.
 - None
 The printer continues to wait until you feed paper or manually cancel the print job.
- **Priority Feed**
 Use the drop-down list of available paper sources to select their order of priority.
- **Tray1 Setting**
 Specify whether Tray 1 is a multi-purpose (Multiple Size) tray or a fixed-size tray. When Multiple Size is selected, a size mismatch error (Load XX) does not occur regardless of the size of paper loaded in Tray 1. Multiple Size is a convenient setting for printing documents on various sizes of paper from Tray 1. When Fixed Size is selected, you must specify the size you want in the Tray 1 Paper Size drop-down list.
 - Multiple Size
 This setting enables Tray 1 to handle all paper sizes.
 - Fixed Size
 This setting limits the paper handling capability of Tray 1 to the specified paper size.

Tray1 Paper Size

Specify the paper size handling capability of Tray 1 through this drop-down list (custom paper sizes are not available). This setting is not supported when Multiple Size is enabled.

Printer Setting



- **Power Save**
These controls determine the power saving settings of your printer. Select the On setting to enable the power saving mode. The mode will be disabled if you check Off. The Power Save Interval setting determines the number of minutes that the printer will sit without receiving a command before entering the power save mode. You can enter any interval of time from 1 to 60 minutes.
- **Detect Size Error**
This setting enables the printer to automatically detect if paper of a size that is not currently specified has been loaded into the currently selected tray. Select On to enable size error detection and Off to disable the feature.
- **Jam Recovery**
When this control is On, the printer will save data in the event that the document should jam before it is output. Data is not saved when this control is set to Off.
- **Pre-Warm**
Select the On setting to prewarm the printer's fuser as soon as a print job is received from the host computer. The fuser will not warm up immediately after receiving a print job when Off is selected.
- **Print Language**
Select the desired language of the printer from this drop-down list. You can select from PCL, PS (optional) and Auto.

Test Print



- [Demo Page Print]
Click this button to print a Demo Page.
- [Configuration Print]
Click this button to print a page that shows the printer's current configuration.
- [Print the List of PCL Resident Fonts]
Click this button to print a list of the PCL resident fonts that are installed on your printer.
- [Print the List of PS Resident Fonts]
Click this button to print a list of the PS resident fonts if there is an optional PS SIMM installed in your printer.

Counter



- **Total Counter**
This value shows how many pages have been printed throughout the life of the printer. This value cannot be reset.
- **Tray2 Counter**
This value shows how many pages have been printed from Tray 2. This value can be reset to zero by clicking the [Reset] button.
- **Tray3 Counter**
This value shows how many pages have been printed from Tray 3. This value can be reset to zero by clicking the [Reset] button.

Configuration



- **Printer Name**
This box shows the name assigned to the printer.
- **Total Memory**
This box shows how much memory is installed on the printer.
- **Additional Accessories**
This box shows any additional accessories installed on the printer

7 Maintenance

7.1 Replacing the Imaging Cartridge

The imaging cartridge contains the print drum and a supply of toner. If you print typical business A4 size pages with 5% coverage of toner, the imaging cartridge lasts for approximately 9,000 pages. However, the life of the imaging cartridge varies with the actual density of toner that is used.

When the Ready and Error LEDs are lit and the Paper LED is off on the control panel, a low level of toner in the imaging cartridge is indicated. This situation will be confirmed by the Toner Near Empty message that will appear in the Status Display. Print quality will gradually decline so a replacement for the imaging cartridge should be prepared for installation at this time.

To use as much of the remaining toner as possible, remove the imaging cartridge, shake it 2 or 3 times and reinstall it in the printer. If print quality is not satisfactory, you should replace the imaging cartridge with a new one according to the following procedure.

When the Ready and Error LEDs are lit and the Paper LED is blinking on the control panel, the imaging cartridge is now empty. The imaging cartridge must be replaced.



NOTE

- The Toner Near Empty message appears in the Status Monitor as a reminder that the imaging cartridge will run out of toner soon. Since print quality will decline after the Toner Empty message appears, replacement with a new imaging cartridge is recommended when the Toner Near Empty message is displayed.
-

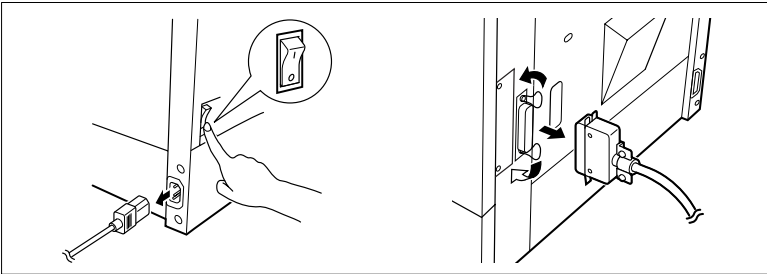
To Replace the Imaging Cartridge



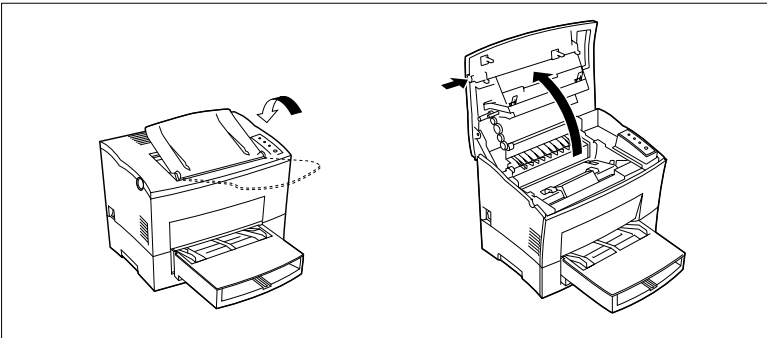
CAUTION

- The fusing unit inside the printer can become very hot during operation. Do not touch the area to avoid injury.

- 1 Turn the printer off and then disconnect the power cord and interface cable from the printer.



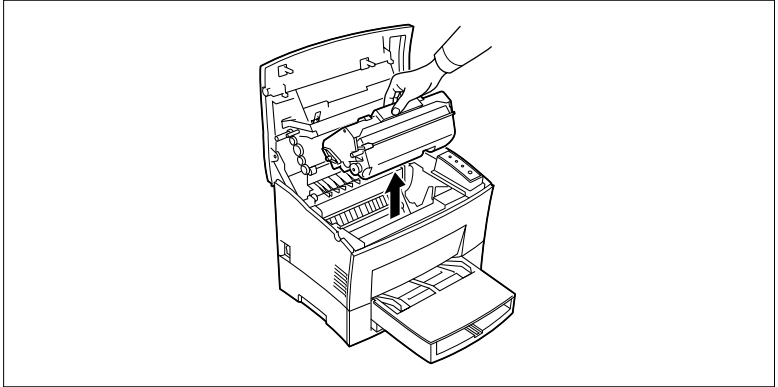
- 2 Close the face-down tray and press the [top cover release] button to open the top cover.



NOTE

- Be sure to close the face-down tray before opening the top cover to prevent injuries.

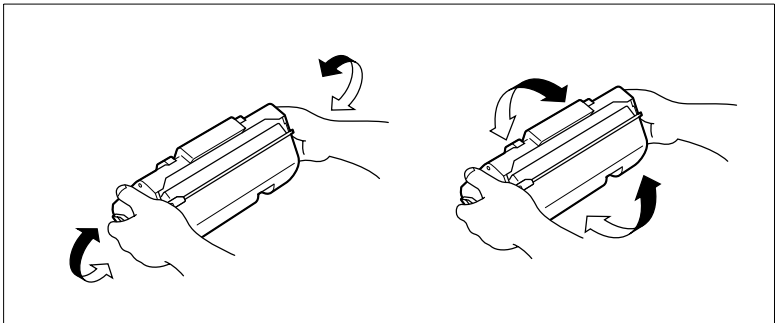
3 Remove the old imaging cartridge.



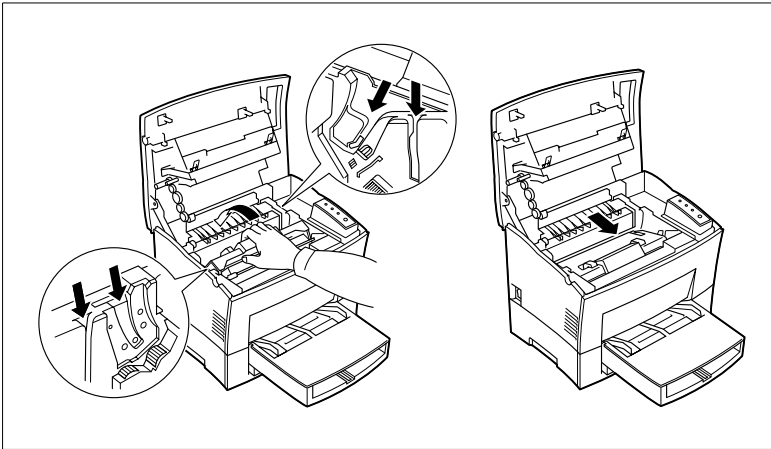
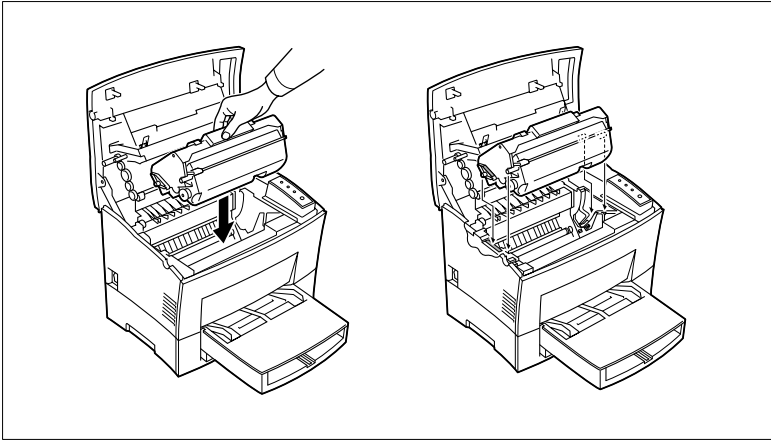
NOTE

- Do not touch the shutter of the imaging cartridge to avoid causing damage to the drum unit. When handling the imaging cartridge, always use the handle.

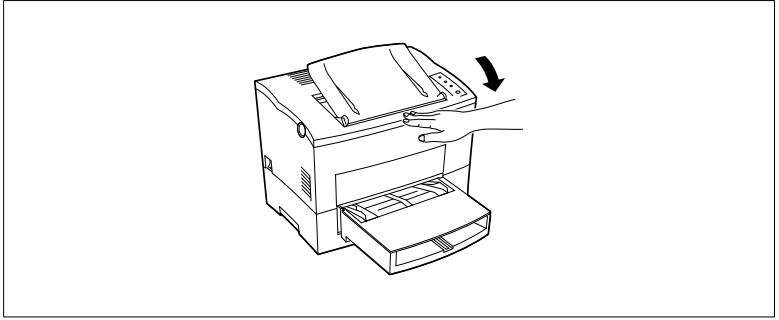
- ### 4 Take a new imaging cartridge out of the box.
- Holding it with both hands, shake it 4 or 5 times in the direction of the arrows to distribute the toner evenly.



- 5 Install the imaging cartridge securely into the printer by sliding the pins on each side of the cartridge along the grooves of the cartridge guide.



- 6 Close the top cover and press it down gently but firmly until it locks into place.



7.2 Cleaning the Printer

Dust, dirt, and paper debris on the outer surfaces and inside the printer can interfere with printer performance. Clean the printer regularly.



NOTE

- Use a soft cloth to clean the printer. Never use abrasives or corrosive detergents.
-



CAUTION

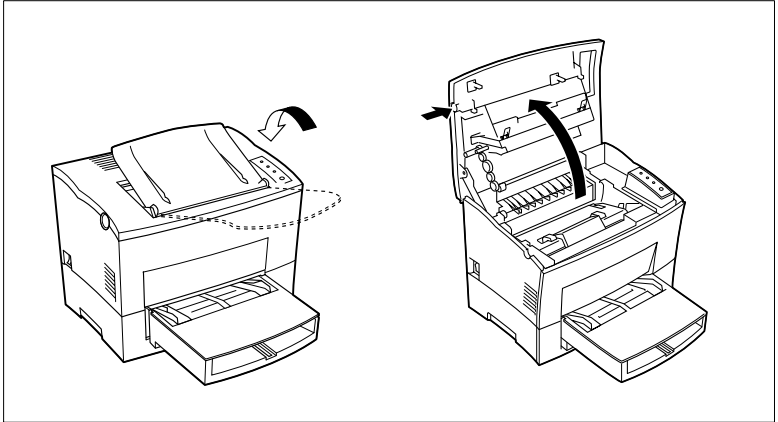
- The fusing unit can become very hot during operation. Do not touch the area to avoid injury. Wait for at least 10 minutes after the printer has been turned off and make sure that the fusing unit has cooled before cleaning the interior of the printer.
-

Cleaning the Outside of the Printer

Wipe the outside of the printer with a soft cloth moistened with a neutral, household detergent.

Cleaning the Paper Transport Roller

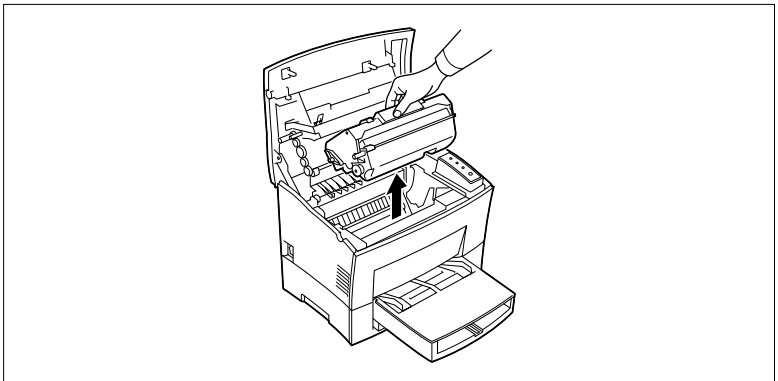
- 1 Turn off the printer and unplug the power cord.
- 2 Close the face-down tray and press the top cover release button to open the top cover.



NOTE

- Be sure to close the face-down tray before opening the top cover to prevent injuries.
-

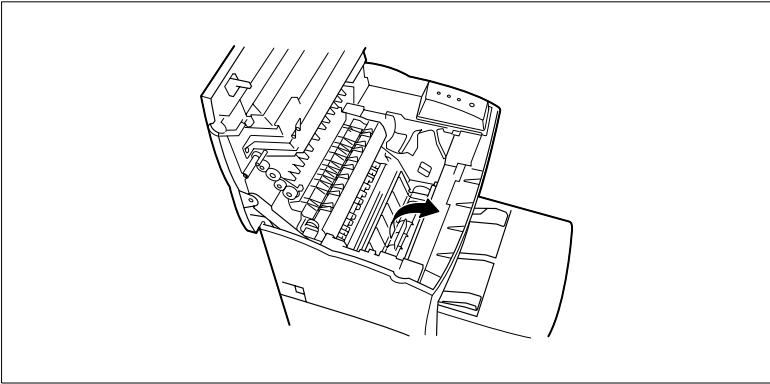
- 3 Remove the imaging cartridge.



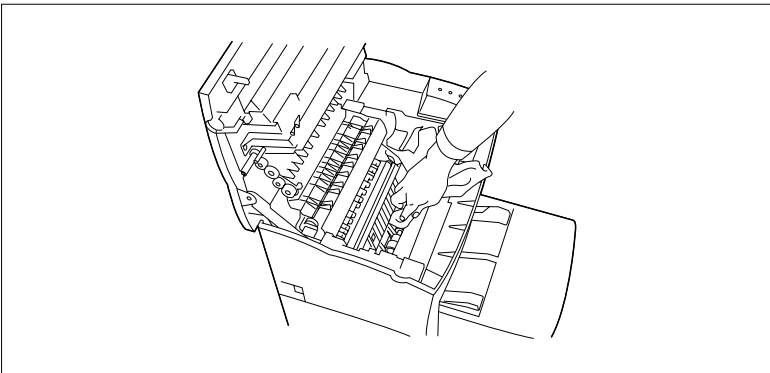
**NOTE**

- Immediately wrap the imaging cartridge with a cloth to protect it from overexposure to light.

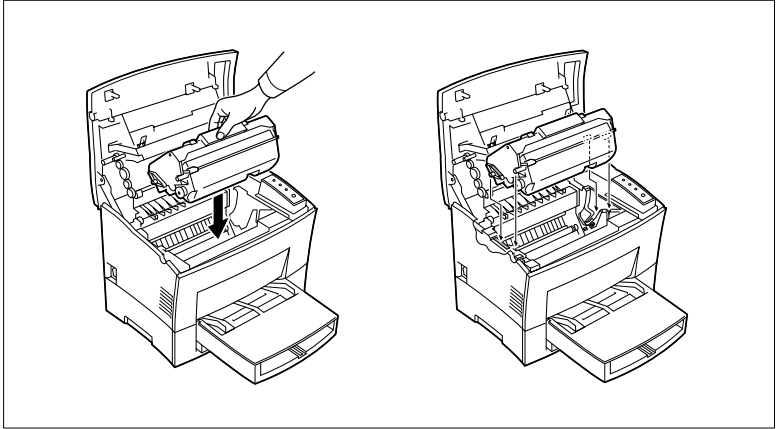
- 4 Pull back on the cover that protects the paper transport roller located at the bottom of the printer chamber.



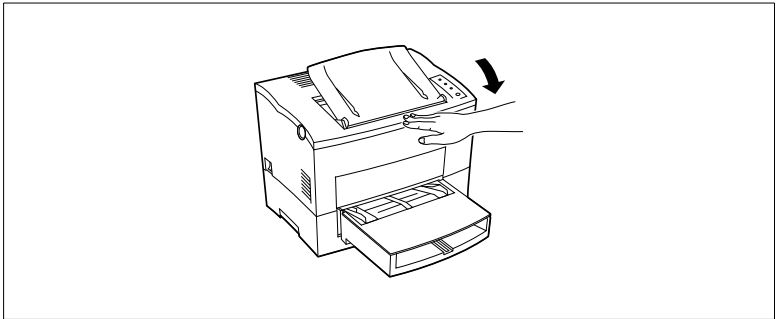
- 5 Use a soft cloth to wipe the paper transport roller.



- 6 Reinstall the imaging cartridge, see page 7-2.



- 7 Close the top cover and press it down gently but firmly until it locks into place.



8 Troubleshooting

8.1 Clearing a Paper Misfeed

Inside the Printer

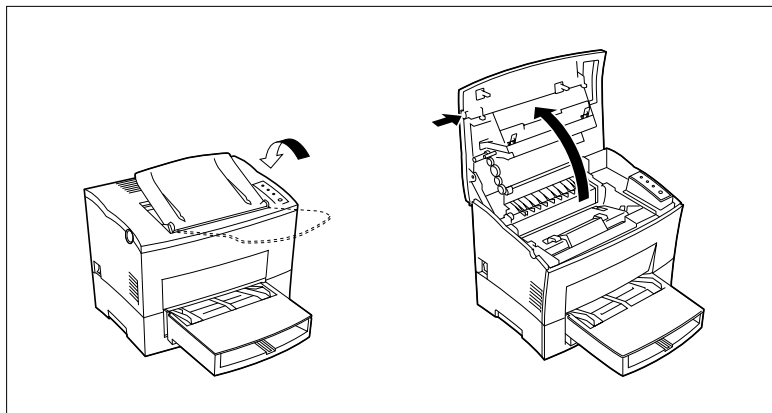
Use the following procedure to remove a misfed paper from inside the printer.



CAUTION

- The fusing unit inside the printer can become very hot during operation. Do not touch the area to avoid injury.

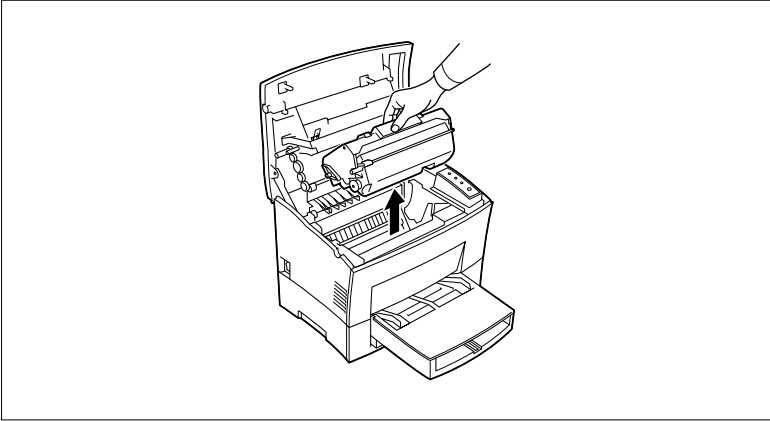
- 1 Close the face-down tray and press the [top cover release] button to open the top cover.



NOTE

- Be sure to close the face-down tray before opening the top cover to prevent injuries.

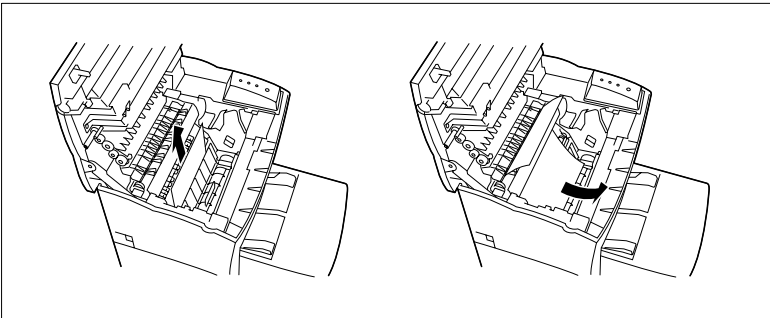
2 Remove the imaging cartridge.



NOTE

- Immediately wrap the imaging cartridge with a cloth to protect it from overexposure to light.

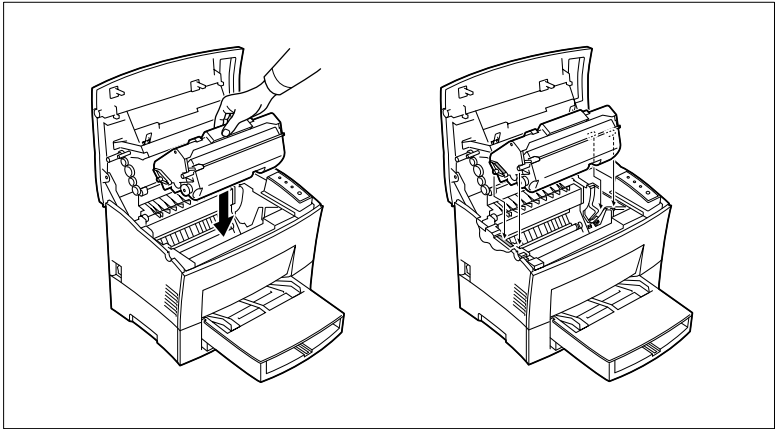
3 Pull the end of the paper that is visible straight out of the printer.



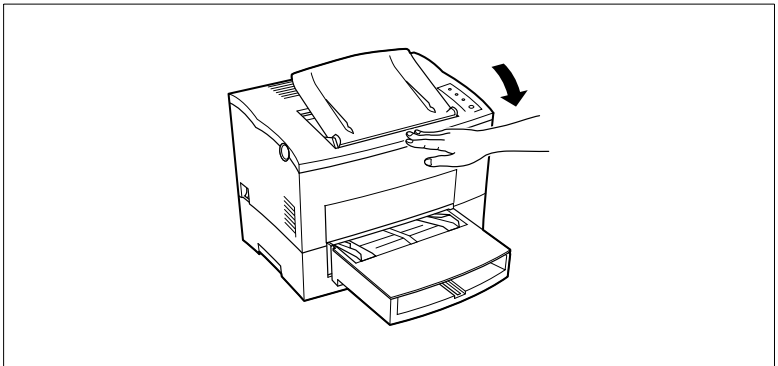
CAUTION

- Do not touch the image transfer roller.

4 Reinstall the imaging cartridge, see page 7-2

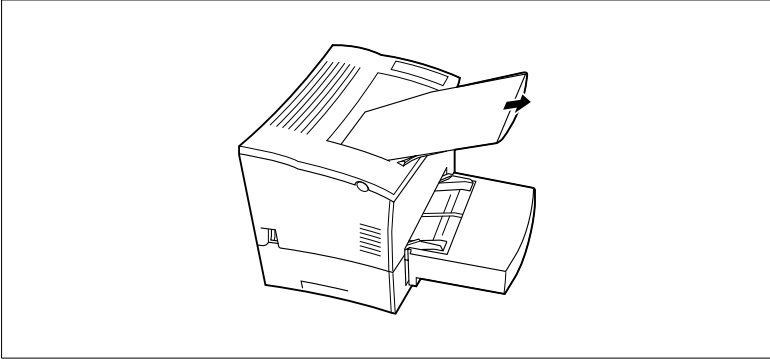


5 Close the top cover and press it down gently but firmly until it locks into place.

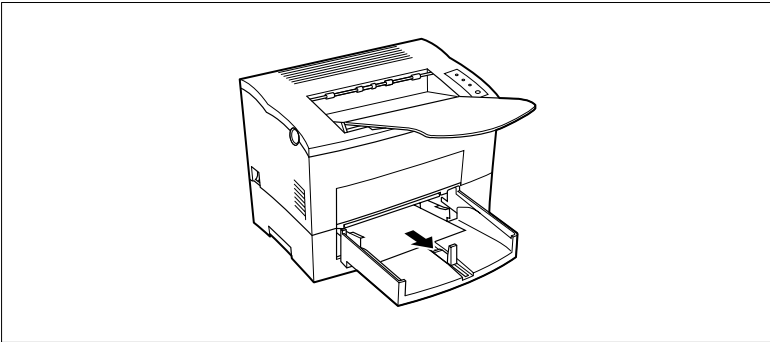


Paper Output Misfeed

Pull the misfed paper straight out of the printer.

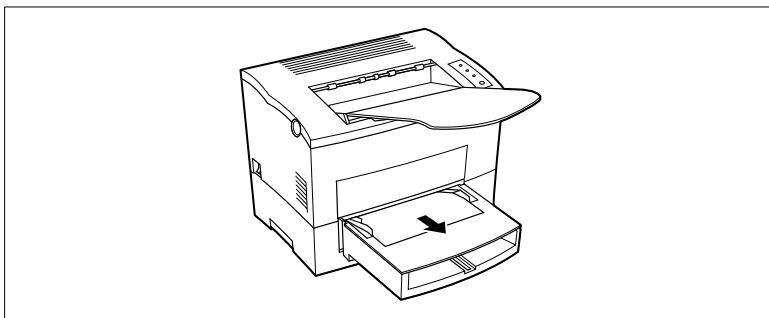
**Paper Input Misfeed (from Tray 1)**

Remove the tray cover and pull the misfed paper straight out of the printer.



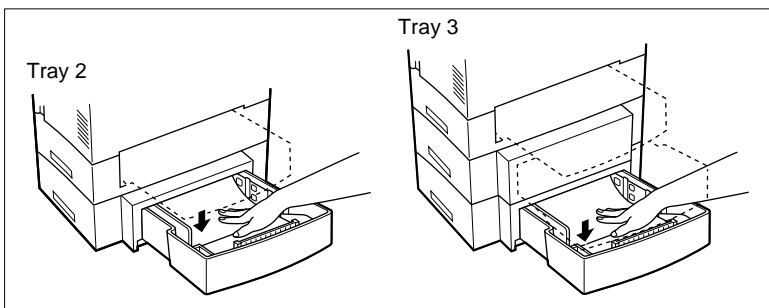
Paper Input Misfeed (from Manual Feed Tray)

Pull the misfed paper straight out of the printer.

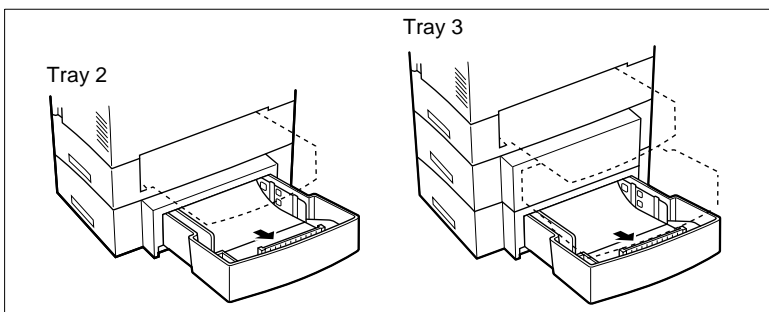


Paper Input Misfeed (from Second/Third Paper Cassette Unit)

Remove the cassette cover and pull out Tray 2/Tray 3 from the second/third paper cassette unit. Press down on the stack of paper until the paper lifting plate locks.



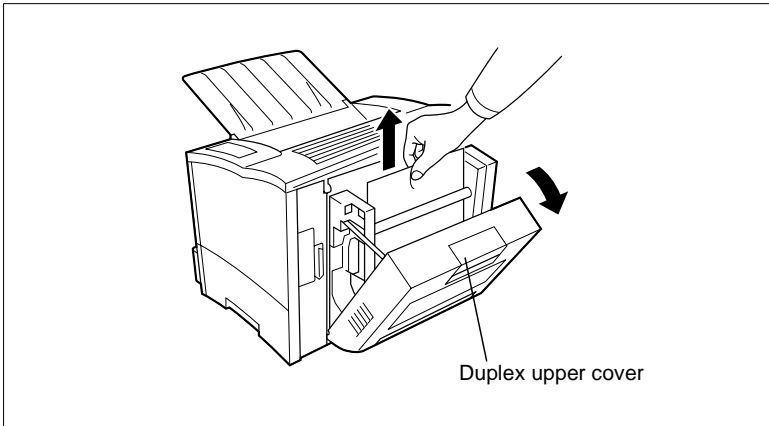
Remove the stack of paper from the tray and pull the misfed paper straight out of the printer.



Paper Misfeed in the Duplex Unit

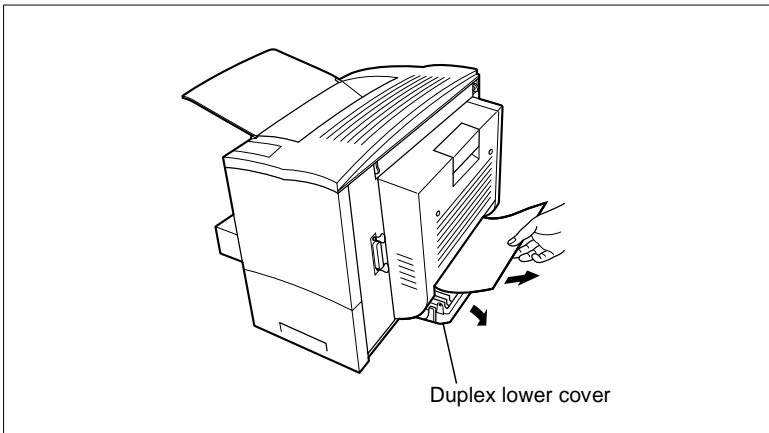
- Upper Misfeed

Open the duplex upper cover and pull out the misfed paper.



- Lower Misfeed

Open the duplex lower cover and remove the misfed paper.

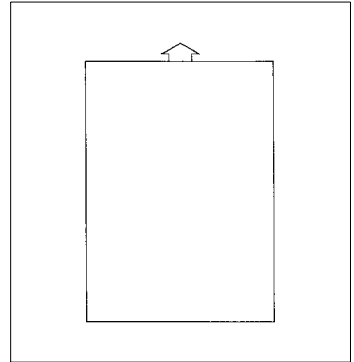


8.2 Print Quality Problems

The following provides information on most print quality problems you might encounter. If the advice provided here does not solve your problem, contact your dealer.

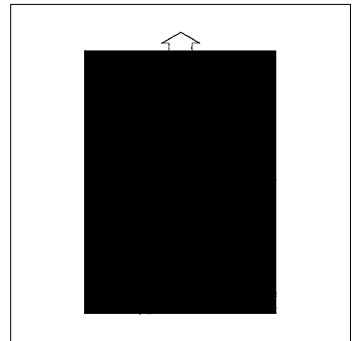
Blank pages

- The imaging cartridge may be running out of toner.
Remove the imaging cartridge and rock it left and right a few times distribute remaining toner.
If the problem persists, replace the imaging cartridge (see page 7-2).
- The imaging cartridge may be defective.
Remove the imaging cartridge and check it for damage. Replace the imaging cartridge if necessary (see page 7-2).



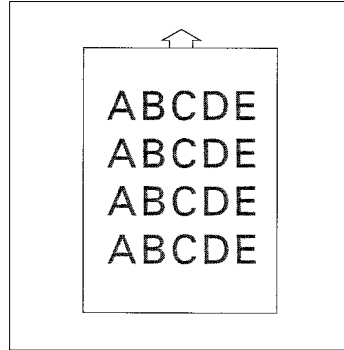
Black pages

- The imaging cartridge may be defective.
Remove the imaging cartridge and check it for damage. Replace the imaging cartridge if necessary (see page 7-2).
- Your printer may require servicing.
Contact your dealer.

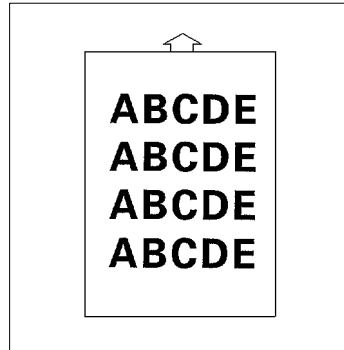


Printout too light

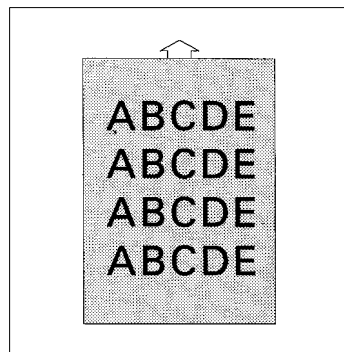
- The toner save setting of the printer driver may be “On”.
Change the setting and try printing again.
- The imaging cartridge may be running out of toner.
Remove the imaging cartridge and rock it left and right a few times to distribute remaining toner.
If the problem persists, replace the imaging cartridge (see page 7-2).
- The imaging cartridge may be defective.
Remove the imaging cartridge and check it for damage. Replace the imaging cartridge if necessary (see page 7-2).

**Printout too dark**

- The imaging cartridge may be defective.
Remove the imaging cartridge and check it for damage. Replace the imaging cartridge if necessary (see page 7-2).

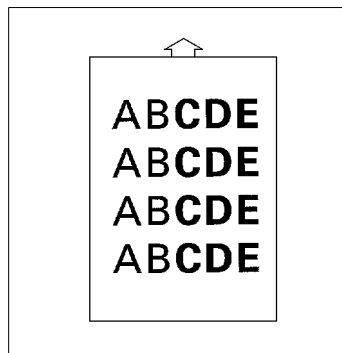
**Blurred background**

- The imaging cartridge may be defective.
Remove the imaging cartridge and check it for damage. Replace the imaging cartridge if necessary (see page 7-2).



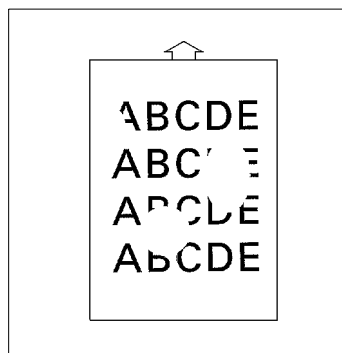
Uneven print density

- The toner may be unevenly distributed inside the imaging cartridge.
Remove the imaging cartridge and rock it left and right a few times to distribute remaining toner.
- The imaging cartridge may be defective.
Remove the imaging cartridge and check it for damage. Replace the imaging cartridge if necessary (see page 7-2).



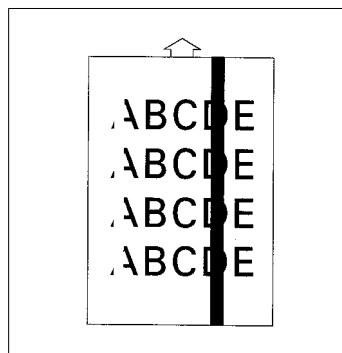
Irregularities

- The paper may have absorbed some moisture due to high humidity or because of direct contact with water.
Since toner will not adhere well to damp paper, replace the paper you are using with dry paper and try printing again.



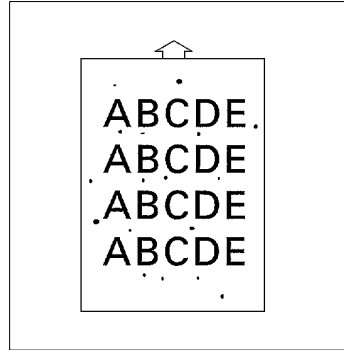
White or black line

- The imaging cartridge may be defective.
Remove the cartridge and check it for damage. Replace the cartridge if necessary.



Toner smudges

- The toner may be unevenly distributed inside the imaging cartridge.
Remove the imaging cartridge and rock it left and right a few times to distribute remaining toner.
- The imaging cartridge may be defective.
Remove the cartridge and check it for damage. Replace the cartridge if necessary.
- Smudges on the back of the paper indicate a dirty transport roller.
Contact your dealer.



No output

Failure to produce output may indicate a communications problem between the printer and your computer. Check the following points to see if you can correct the problem. If problems persist, contact your dealer.

- Are you using the correct type of printer cable?
Save the data you are trying to print and close all the applications currently open on your computer. Next, reset your computer to send a break signal to the printer. Now check your printer cable against the specifications, see page 9-4.



NOTE

- ➔ When connecting your computer to the parallel connector on the printer, we recommend using a IEEE1284 type-B parallel interface cable (1.5 m long).
-
- Are your computer's communications port settings correct?
Refer to the documentation that comes with your computer and check if its current communications port settings are correct.

9 Specifications

9.1 PagePro 18 Printer

Specifications	
Type	Desktop laser beam printer
Print system	Electrostatic dry powder imaging system
Exposure system	Laser diode + polygon mirror scanning
Incorrect Resolution	600 dpi
Correct Resolution	1200dpi x 600dpi, 600dpi x 600dpi + Fine ART
Print speed	One sided: 18 pages per minute (A4-size paper) Double sided: 5 pages per minute (A4-size paper)
First print	One sided: Within 18 seconds (A4 or Letter) Double sided: Within 28.5 seconds (A4 or Letter)
Paper sizes	A4, A5, JIS B5, DL Envelope, C5 Envelope, B5 Envelope, Letter, Legal, Executive, Com 10 Envelope, Monarch Envelope, Custom
Media	Plain paper (60 to 90 g/m ² ; 16 to 24 lbs.); recycled paper (60 to 90 g/m ² ; 16 to 24 lbs.); transparencies; letter head; labels; envelopes; postcards; thick paper (90 to 163 g/m ² ; 24 to 43 lbs.)
Paper feeding	Tray 1 (Multipurpose tray); manual feed; Tray 2 (500-sheet second cassette) (option); Tray 3 (500-sheet third cassette) (option)
Input capacity	Tray 1 (Multipurpose tray): 250 sheets; Tray 2 (Second cassette) (option): 500 sheets; Tray 3 (Third cassette) (option): 500 sheets
Output capacity	250 sheets (face down)
Warm-up time	23 seconds or less
Operating temperature	10° to 35°C
Operating humidity	15% to 85%
Power consumption	820 W or less Standby (average): 60 W or less Power save (average): 30 W or less
Amperage	3.8 A or less (220 - 240 V)
Machine life	300,000 prints or five years
Imaging cartridge life	9,000 prints min. (black-to-white ratio of 5% or less).
Power supply	220 - 240 V, 50 - 60 Hz

Specifications	
Acoustic noise	67 dB(A) max. (operating); 33 dB(A) max. (power saving mode)
External dimensions	
Height	14-3/4" (374 mm)
Width	17-5/32" (436 mm)
Depth	20" (511 mm)
Weight	Printer: Approx. 28-3/4 lbs. (13 kg) Imaging cartridge: Approx. 3-1/4 lbs. (1.5 kg)
Interface	Parallel Centronics (IEEE 1284/ECP)
CPU	Power PC 403GCX/66MHz
Standard memory	4 MB (expandable up to 64 MB)
Accessories	Power cord, User's Manual, Quick Guide, CD-ROM
Options	Second paper cassette unit; Third paper cassette unit; Duplex unit; DRAM SIMM; Adobe PostScript ROM-SIMM; NIC (Network Interface Card) (options available from your dealer)

9.2 Second Paper Cassette Unit (Option)

Specifications	
Paper feeding system	One-way system (multi-feed tray)
Paper types	Ordinary plain paper (60 to 90 g/m ² ; 16 to 24 lbs.); recycled paper (60 to 90 g/m ² ; 16 to 24 lbs.)
Paper cassettes	A4 (Option: JIS B5, Letter, Legal, Executive)
Tray capacity	Up to 500 sheets (plain and recycled paper)
Operating temperature	10° to 35°C
Operating humidity	15% to 85%
External dimensions	
Height	4-3/4" (120 mm)
Width	17-1/4" (436 mm)
Depth	13-3/4" (351 mm)
Weight	Approximately 10-1/4 lbs. (4.6 kg) not including the Legal Cassette (Tray)

9.3 Third Paper Cassette Unit (Option)

Specifications	
Paper feeding system	One-way system (multi-feed tray)
Paper types	Ordinary plain paper (60 to 90 g/m ² ; 16 to 24 lbs.); recycled paper (60 to 90 g/m ² ; 16 to 24 lbs.)
Paper cassettes	A4 (Option: JIS B5, Letter, Legal, Executive)
Tray capacity	Up to 500 sheets (plain and recycled paper)
Operating temperature	10° to 35°C
Operating humidity	15% to 85%
External dimensions	
Height	4-3/4" (120 mm)
Width	17-1/4" (436 mm)
Depth	13-3/4" (351 mm)
Weight	Approximately 10-1/4 lbs. (4.6 kg) not including the Legal Cassette (Tray)

9.4 Duplex Unit (Option)

Specifications	
Paper feeding system	One-way system
Paper types	Ordinary plain paper (64 to 90 g/m ² ; 17 to 24 lbs.); recycled paper (64 to 90 g/m ² ; 17 to 24 lbs.)
Paper size	A4, A5, JIS B5, Letter, Legal, Executive
Operating temperature	10° to 35°C
Operating humidity	15% to 85%
External dimensions	
Height	10-3/4" (274 mm)
Width	12-3/4" (322 mm)
Depth	6" (151 mm)
Weight	Approximately 5 lbs. (2.3 kg)

9.5 Interface Connector and Cable

Be sure to use only a parallel interface cable that meets the specifications described below.

Specifications	
Length	Less than 10 feet (3 meters)
Connectors	Printer: Parallel 36-pin connector PC: EIA 25-pin connector
Cable type	Shielded. Each signal and ground pair should be twisted.
Pin assignments	IEEE 1284 type-B connector



NOTE

- Minolta does not warrant the use of any particular cable. The user assumes all responsibility as to the quality and performance of the cable.

9.6 SIMM (Option)

You can expand printer memory by adding a single in-line memory module (SIMM). SIMMs are available from your dealer.

Specifications	
Capacity	1, 2, 4, 8, 16, 32 MB
Parity	Non-parity
Type	Fast page
Access speed	60 ns or less
Number of Pins	72

10 General Information

10.1 END USER LICENSE AGREEMENT

PLEASE READ CAREFULLY THE LICENSE AGREEMENT BELOW BEFORE OPENING THIS PACKAGED SOFTWARE. OPENING THIS PACKAGE INDICATES YOUR ACCEPTANCE OF THE TERMS AND CONDITIONS BELOW. IF YOU DO NOT AGREE WITH THEM, YOU SHOULD PROMPTLY RETURN THE PACKAGE UNUSED.

1. SOFTWARE

"Software" means the computer program contained in this package (which may include digitally encoded, machine readable, scaleable outline font data as encoded in a special format), together with all codes, techniques, software tools, format, design, concepts, methods and ideas associated with the computer program and all documentation related thereto.

2. LICENSE AGREEMENT

This is a license agreement and not an agreement for sale. Minolta owns, or has been licensed from other owners, copyrights in the Software. Except as stated in this Agreement, you are not granted any rights to patents, copyrights, trade names, trademarks (whether registered or unregistered), or any other rights, franchises or licenses in respect of the Software. Title to the Software and any copy made from it is retained by Minolta or such other owners.

3. LICENSE

Minolta, hereby grant to you, and you agree to accept a non-exclusive, non-transferable and limited license and you may:

- (1) install and use the Software on a single computer and one associated printer.
- (2) use the Software only for your own customary business or personal purposes.
- (3) make a copy of the Software for backup or installation purposes only in support of the normal and intended use of the Software.
- (4) transfer possession of copies of the Software to another party by transferring a copy of this Agreement and all other documentation along with at least one complete unaltered copy of the Software, provided that

- (i) you must, at the same time, either transfer to such other party or destroy all your other copies of the Software.
- (ii) such transfer of possession terminates your license from Minolta, and (
- iii) such other party shall accept and be bound by these license terms by its initial use of the Software.

4. RESTRICTIONS

- (1) You shall not without the written consent of Minolta:
 - (i) use, copy, modify, merge or transfer copies of the Software except as provided herein. (ii) reverse assemble or reverse compile the Software except as permitted by law; or (iii) Sublicense, rent, lease or distribute the Software or any copy thereof.
- (2) You shall not export or re-export the Software in any form under violation of export restrictions by the government of your country.

5. LIMITED WARRANTY

Minolta warrants the media on which the Software is recorded to be free from defects in materials and workmanship under normal use. Warranty details and limitations for the Software are described in the Statement of Limited Warranty which was supplied with the hardware. With the exception of the foregoing express warranties applicable to hardware and media only, the Software is not warranted and is provided. SUCH WARRANTIES ARE IN LIEU OF ALL OTHER WARRANTIES, EXPRESS OR IMPLIED, INCLUDING, BUT NOT LIMITED TO, THE IMPLIED WARRANTIES OF MERCHANTABILITY AND FITNESS FOR A PARTICULAR PURPOSE.

6. LIMITATION OF REMEDIES

IN NO EVENT WILL MINOLTA BE LIABLE FOR ANY LOST PROFITS, LOST DATA, OR ANY OTHER INCIDENTAL OR CONSEQUENTIAL DAMAGES THAT RESULT FROM USE OR INABILITY TO USE THE SOFTWARE, EVEN IF MINOLTA OR ITS AUTHORISED REMARKETERS HAVE BEEN ADVISED OF THE POSSIBILITY OF SUCH DAMAGES OR FOR ANY CLAIM BY YOU BASED ON A THIRD PARTY CLAIM.

7. TERMINATION

You may terminate your license at any time by destroying the Software and all your copies of it or as otherwise described in these terms. Minolta may terminate your license if you fail to comply with these terms. Upon such termination, you agree to destroy all your copies of the Software.

8. GOVERNING LAW

This Agreement shall be governed by the laws of the country where the delivery is made to the original customer.

9. GOVERNMENT END USERS

If you are acquiring the Software on behalf of any unit or agency of the United States Government, the following provisions apply. Use, duplication or disclosure by the Government is subject to restrictions as set forth in the Rights in Technical Data and Computer Software clause at FAR 252.227-7013, subdivision (b)(3)(ii) or subparagraph (c)(1)(ii), as appropriate. Further use, duplication or disclosure is subject to restrictions applicable to restricted rights software as set forth in FAR 52.227-19(c)(2).

YOU ACKNOWLEDGE THAT YOU HAVE READ THIS AGREEMENT, UNDERSTAND IT, AND AGREE TO BE BOUND BY ITS TERMS AND CONDITIONS. NEITHER PARTY SHALL BE BOUND BY ANY STATEMENT OR REPRESENTATION NOT CONTAINED IN THIS AGREEMENT. NO CHANGE IN THIS AGREEMENT IS EFFECTIVE UNLESS WRITTEN AND SIGNED BY PROPERLY AUTHORISED REPRESENTATIVES OF EACH PARTY. BY OPENING THE PACKAGE, YOU AGREE TO ACCEPT THE TERMS OF THIS AGREEMENT.

10.2 Contrat utilisateur de la licence

LISEZ ATTENTIVEMENT LE CONTRAT DE LA LICENCE CI-DESSOUS AVANT D'OUVRIR L'EMBALLAGE CONTENANT LE LOGICIEL. L'OUVERTURE DE CET EMBALLAGE SIGNIFIE QUE VOUS ACCEPTEZ LES CONDITIONS QUI SE TROUVENT CI-DESSOUS. SI VOUS LES RÉFUTEZ, MERCI DE NOUS RETOURNER L'EMBALLAGE NON DÉBALLÉ DANS LES PLUS BREFS DÉLAIS.

1. Le logiciel

'Logiciel' veut dire le programme de l'ordinateur contenu dans cet emballage (ce qui peut comprendre les décodeurs numériques, lecteurs électroniques...) ainsi que tous les codes, les techniques, les périphériques, les formats, les designs, les concepts, les méthodes et les idées associés au programme de l'ordinateur et toute la documentation qui s'y rattache.

2. Le contrat de licence

Ceci est un contrat de licence et non un contrat de vente. Minolta possède ou a obtenu une licence d'autres propriétaires, des droits de reproduction dans le domaine des logiciels. A l'exception de ce qui est indiqué dans cet accord, vous n'avez aucun droit sur les brevets, les droits de reproduction, les noms de marque (enregistrés ou pas), ni aucun autre droit, franchise ou licence vis à vis de ce logiciel. Le titre de ce logiciel et tout autre copie faite à partir de celui-ci sera gardé par Minolta, ou d'autres propriétaires.

3. La licence

Par la présente Minolta vous accorde (et vous acceptez) une licence limitée, non exclusive et non transférable, ce qui vous autorise à :

- (1) Installer et utiliser le logiciel sur un ordinateur relié à une imprimante unique.
- (2) Utiliser le logiciel pour vos propres besoins professionnels et personnels.
- (3) Faire une copie du logiciel par mesure de sécurité, ou pour des besoins d'installation, seulement dans la cadre de l'utilisation normale et prévue du logiciel.
- (4) Transférer la propriété des copies du logiciel à une tierce personne, et en transférant une copie de cet accord et toute autre documentation, en même temps qu'une copie au moins de ce logiciel (sans modification), étant entendu que (i) vous avez par la même occasion, soit tout transmis à cette tierce personne, soit détruit toutes vos autres copies du logiciel. (ii) Un tel transfert met fin à votre propre licence auprès de Minolta et, (iii) donc lie le nouveau propriétaire aux conditions de la licence dès le début de l'utilisation du logiciel.

4. Les restrictions.

(1) Sans l'accord écrit de Minolta vous ne devez pas:

(i) Utiliser, copier, fusionner, ou transférer des copies du logiciel, sauf s'il s'agit de cas prévus dans ce contrat. (ii) Déprogrammer et re-programmer le logiciel en dehors des limites prévues par la loi, ou (iii) Distribuer, louer ou sous louer le logiciel ou sa copie.

(2) Vous ne devez pas exporter ou réexporter le logiciel sous aucune forme, sous peine de violation des restrictions exports imposées par le gouvernement de votre pays.

5. Une garantie limitée.

Minolta garantie le support sur lequel le logiciel est enregistré contre tout défaut matériel ou de fabrication, dans les conditions normales d'utilisation.

Les détails de garantie et les limites du logiciel sont décrits sur la déclaration de la garantie limitée, fournie avec le matériel informatique. A l'exception des garanties expresses en vigueur, applicables au matériel informatique et audiovisuel uniquement, le logiciel n'est pas garanti et est fourni «tel-quel».

De telles garanties existent à la place de toutes autres garanties, expresses ou tacites, y compris mais non pas limitées aux garanties tacites de ventes et bon fonctionnement dans un but bien précis.

6. Etendue des responsabilités

EN AUCUN CAS, MINOLTA NE POURRA ÊTRE DÉSIGNÉ RESPONSABLE POUR PERTE DE PROFITS, PERTE DE DONNÉES, OU AUTRES DOMMAGES ACCIDENTELS OU CONSÉCUTIFS, DOMMAGES QUI RÉSULTENT DE L'UTILISATION OU DE LA MAUVAISE UTILISATION DU LOGICIEL, MÊME SI MINOLTA OU SES REVENDEURS LÉGAUX ONT ÉTÉ AVERTIS DE LA POSSIBILITÉ DE TELS DOMMAGES, OU POUR UNE RÉCLAMATION FAITE PAR VOUS AU NOM D'UNE TIERCE PERSONNE.

7. Résiliation du contrat.

Vous pouvez mettre un terme à votre licence à tout moment en détruisant le logiciel et toutes ses copies comme prévue dans le contrat, Minolta peut mettre fin à votre licence en cas de non respect du contrat.

Dans ce cas, vous acceptez de détruire toutes vos copies du logiciel.

8. La loi

Cet accord doit être soumis aux lois du pays où la livraison s'effectue, chez le client d'origine.

9. Contrat utilisation pour le gouvernement.

Si vous faites l'acquisition du logiciel au nom d'un service ou organisme du Gouvernement des Etats-Unis, les dispositions suivantes s'appliquent. Utilisation, duplication, ou divulgation sont sujettes aux restrictions mentionnées dans «Rights in Technical Data and Computer Software» FAR 252.227-7013, section (b)(3)(ii) ou chapitre (c)(1)(ii), as approprié. Toute utilisation supplémentaire, duplication ou divulgation est sujette aux restriction applicables aux droits restreints sur les logiciels définis dans FAR 52.227-19(c)(2).

VOUS RECONNAISSEZ AVOIR LU, COMPRIS LE PRÉSENT CONTRAT ET ACCEPTEZ D'ÊTRE LIÉ PAR SES CONDITIONS. AUCUNES DES PARTIES NE DOIT ÊTRE LIÉES PAR UNE MESURE OU PAR UNE DISPOSITION NE FIGURANT PAS DANS CE CONTRAT. TOUTE MODIFICATION DE CE CONTRAT NE SERA VALABLE QUE S'IL EST ÉCRIT ET SIGNÉ PAR LES REPRÉSENTANTS DÉSIGNÉS PAR CHAQUE PARTIE.

EN OUVRANT CET EMBALLAGE, VOUS ADHÉREZ AUX TERMES DE CE CONTRAT.

10.3 ENDVERBRAUCHER-LIZENZVERTRAG

Vor der Benutzung des beigefügten Produktes sind die nachstehenden Bedingungen sorgfältig zu lesen. Mit der Benutzung des Produktes erkennen Sie als Lizenznehmer die Bedingungen dieses Vertrages an. Wenn Sie mit den Bedingungen nicht einverstanden sind, senden Sie die ungeöffnete Packung umgehend zurück. Bei diesem Vertrag handelt es sich um einen Lizenzvertrag und nicht um einen Kaufvertrag. MINOLTA ist Inhaberin der Urheberrechte an dem Microcode, den Computerprogrammen und codierten Schriften einschließlich der Bitmap-Schriften und Konturschriften (nachfolgend insgesamt als „Software“ bezeichnet), die sich in diesem Drucker, den Druckerzubehörteilen oder Fontprodukten befinden, oder MINOLTA besitzt die Lizenzen an den entsprechenden Urheberrechten anderer Inhaber. Der Lizenznehmer erwirbt keine Rechte an der Software. MINOLTA oder die genannten anderen Inhaber bleiben Inhaber der Rechte an der in der Packung enthaltenen Kopie der Software und jedweder von ihr angefertigten Kopie. Die Verantwortung für die Wahl zur Erzielung der gewünschten Ergebnisse, Installation, Benutzung und die mit der Software erzielten Ergebnisse liegt allein bei Ihnen als Lizenznehmer.

LIZENZ

Ihnen als Lizenznehmer ist es gestattet:

1. die Software auf einem Computer und einem angeschlossenen Drucker zu installieren und zu benutzen;
2. ausschließlich zu Sicherungs- oder Installationszwecken eine Kopie der Software für die normale und beabsichtigte Erstellung zu benutzen. In diesem Fall ist der Lizenznehmer verpflichtet, auf der Kopie die sich auf der Software befindenden Vermerke über Urheberrecht und Warenzeichen entsprechend anzubringen;
3. das Eigentum an Kopien der Software an Dritte zu übertragen durch Überlassung dieser Vertragsausfertigung und des sonstigen dazugehörigen schriftlichen Materials sowie mindestens einer vollständigen, unveränderten Kopie der Software, wenn folgende Bedingungen erfüllt sind:
 - (i) Wenn gleichzeitig alle anderen Kopien der Software des Erstlizenznehmers dem Dritten überlassen oder diese Kopien vernichtet werden,
 - (ii) wenn mit der Übertragung des Eigentums der Lizenzvertrag des Erstlizenznehmers mit MINOLTA gekündigt wird und
 - (iii) wenn der Dritte diese Lizenzbedingungen mit der erstmaligen Benutzung der Software annimmt und die entsprechenden vertraglichen Verpflichtungen eingeht;

4. die auf der Software vorhandenen Warenzeichen und den entsprechenden Vermerk über den Namen des Warenzeicheninhabers ausschließlich im Rahmen der anerkannten Praxis im Umgang mit Warenzeichen zu verwenden.

Dem Lizenznehmer ist nur mit schriftlicher Zustimmung von MINOLTA erlaubt:

1. Kopien der Software zu anderen als den hier ausdrücklich genannten Zwecken zu verwenden, anzufertigen, zu verändern, mit anderer Software zu mischen oder zu übertragen,
2. die Software zu entassemblieren oder entkompilieren, vorbehaltlich anderslautender gesetzlicher Bestimmungen oder
3. die Software oder eine Kopie davon zu vermieten, zu verleasen, zu übertragen oder eine Unterlizenz zu erteilen.

HAFTUNGSBESCHRÄNKUNGEN

MINOLTA gewährt bei sachgerechter Benutzung eine Garantie auf Material und Verarbeitung der Hardware, die die Software beinhaltet. Die Haftungsbedingungen und -beschränkungen bezüglich der Hardware, die die Software beinhaltet, sind in den Gewährleistungsbedingungen aufgeführt, die mit der Hardware ausgeliefert wurden. Neben dieser Gewährleistung auf Hardware und Medien wird keine weitere Haftung für die Software übernommen. Die Software wird in dem Zustand geliefert, in dem sie sich bei der Übergabe befindet. Diese Gewährleistungen gelten anstelle etwaiger anderer ausdrücklicher oder stillschweigender Gewährleistungen einschließlich - jedoch nicht beschränkt hierauf - der gesetzlich vermuteten Gewährleistung bezüglich der Nutzung und Eignung der Software für einen bestimmten Zweck.

BESCHRÄNKUNG VON GEWÄHRLEISTUNGSANSPRÜCHEN

IN KEINEM FALL HAFTET MINOLTA FÜR ENTGANGENEN GEWINN ODER VERLORENE EINSPARUNGSMÖGLICHKEIT ODER GELEGENTLICH WEGEN DES GEBRAUCHS ENTSTANDENE ODER ANDERER FOLGESCHÄDEN, SELBST WENN MINOLTA ODER DIE AUTORISIERTEN HÄNDLER ÜBER MÖGLICHE SCHÄDEN DIESER ART UNTERRICHTET WURDEN. MINOLTA HAFTET AUCH NICHT FÜR ANSPRÜCHE DES LIZENZNEHMERS AUFGRUND EINES ANSPRUCHS EINES DRITTEN.

ALLGEMEINE BESTIMMUNGEN

Der Lizenznehmer kann den Lizenzvertrag jederzeit beenden, indem er sämtliche Kopien der Software vernichtet oder entsprechend anderweitiger Bestimmungen dieses Vertrages handelt. MINOLTA kann den Lizenzvertrag mit dem Lizenznehmer beenden, wenn dieser diese Bedingungen nicht einhält. In diesem Fall erklärt sich der Lizenznehmer damit einverstanden, alle Kopien der Software zu vernichten. Jedweder Versuch, eine Kopie der Software zu anderen als den hier ausdrücklich genannten Zwecken zu vermieten, zu verleasen, zu übertragen oder eine Unterlizenz hiervon zu erteilen, ist nichtig. Der Lizenznehmer erkennt hiermit an, daß er für die sich aus diesem Vertrag etwa ergebenden persönlichen Steuern haftet. Rechte aus diesem Vertrag können von den Parteien unabhängig von der Art der Ansprüche nur innerhalb von zwei Jahren nach Entstehen des Anspruchs geltend gemacht werden. Bei Verstößen gegen die Bestimmungen im Abschnitt unter der Überschrift „Lizenz“ gilt eine Frist von 4 Jahren. Für diesen Vertrag gilt im übrigen das Recht des Landes, indem dieses Produkt erworben worden ist.

LIZENZNEHMER REGIERUNG

Handelt der Lizenznehmer für eine oder im Auftrage einer Einrichtung der Amerikanischen Regierung, gelten die folgenden Bestimmungen: Nutzung, Vervielfältigung oder Offenlegung durch die Regierung unterliegt den Rights in Technical Data and Computer Software clause at FAR 252.227-7013, subdivision (b)(3)(ii) oder subparagraph (c)(1)(ii).

Eine Nutzung, Vervielfältigung oder Offenlegung darüberhinaus unterliegt den Bestimmungen der Restricted Rights Software in FAR 52.227-19(c)(2).

SIE ALS LIZENZNEHMER ERKLÄREN, DIESEN LIZENZVERTRAG GELESEN UND VERSTANDEN ZU HABEN. SIE ERKENNEN DIE LIZENZBEDINGUNGEN AN.

WEDER SIE NOCH MINOLTA FÜHLEN SICH AN BEDINGUNGEN GEBUNDEN, DIE NICHT IN DIESEM VERTRAG ENTHALTEN SIND. ETWAIGE ERGÄNZUNGEN ODER ÄNDERUNGEN ZU DIESEM VERTRAG SIND NUR RECHTSGÜLTIG, WENN SIE SCHRIFTLICH NIEDERGELEGT UND UNTERSCHRIEBEN SIND VON AUTORISIERTEN VERTRETERN BEIDER PARTEIEN.

MIT DEM ÖFFNEN DER VERPACKUNG ERKENNEN SIE SÄMTLICHE PUNKTE DIESES VERTRAGES AN.

10.4 CONTRATTO DI LICENZA D'USO

LEGGETE ATTENTAMENTE IL CONTRATTO DI LICENZA SOTTO RIPIPORTATO PRIMA DI APRIRE IL PACCHETTO SOFTWARE. L'APERTURA DEL PACCHETTO DA PARTE VOSTRA INDICA LA VOSTRA ACCETTAZIONE DEI TERMINI E DELLE CONDIZIONI SOTTO RIPIPORTATE. IN CASO DI DISACCORDO, VI PREGHIAMO DI VOLER RESTITUIRE IMMEDIATAMENTE IL PACCHETTO ANCORA SIGILLATO.

1. SOFTWARE

“Software” significa il programma per computer contenuto in questo pacchetto (che potrebbe includere dati di font outline scalabili codificati digitalmente, leggibili dalla macchina come codificati in uno speciale formato), unitamente a tutti i codici, tecniche, strumenti di software, formato, design, concetti, metodi ed idee associate con il programma per computer e tutta la documentazione relativa.

2. CONTRATTO DI LICENZA

Il presente è un contratto di licenza e non un contratto di vendita. MINOLTA possiede, ovvero ha avuto la licenza da parte degli altri proprietari, i diritti di autore per il Software. Ad eccezione di quanto dichiarato nel presente Contratto, non avrete alcun diritto di brevetto, copyright, nomi di marchi, marchi di fabbrica (sia registrati o non registrati), o qualsiasi altro diritto, mandato di rappresentanza o licenza rispetto a questo Software.

3. LICENZA

Con il presente contratto MINOLTA conferisce licenza d'uso, non trasferibile né sub-licenziabile, del software descritto al punto uno (1), del presente contratto in base alla quale il licenziatario:

(1) avrà facoltà d'installare ed usare il Software su un solo computer e su una stampante associata.

(2) avrà facoltà di usare il Software solo per la sua attività o per scopo personale.

(3) avrà facoltà di fare una copia del Software a scopo di backup o di installazione solo come supporto del normale e stabilito uso del Software.

(4) avrà facoltà di trasferire il possesso di copie del Software a terzi trasferendo contestualmente il presente contratto e tutta la documentazione relativa con almeno una copia completa e inalterata del Software, a patto che: (i) trasferisca a detti terzi e, al tempo stesso, distrugga tutte le altre copie del Software. (ii) Tale trasferimento di possesso fa terminare la licenza da parte di Minolta con il licenziatario,

mentre (iii) detti terzi dovranno accettare e saranno legati da questi termini di licenza per quanto riguarda l'uso iniziale del Software.

4. OBBLIGHI DEL LICENZIATARIO

(1) Il licenziatario, salvo consenso scritto di MINOLTA:

(i) non potrà usare, riprodurre, copiare, modificare in alcun modo, manipolare e trasferire le copie del Software al di fuori di quanto qui previsto.

(ii) non potrà eseguire "reverse assembling" o "reverse compiling" sul Software tranne quanto consentito dalla legge; oppure

(iii) non potrà sub-licenziare, cedere a terzi, noleggiare o distribuire il Software o copia dello stesso, salvo quanto previsto al punto tre (3) del presente accordo.

(2) Il licenziatario non potrà esportare o riesportare il Software in nessuna forma pena la violazione delle restrizioni di esportazione dettate dal Governo locale.

5. GARANZIA LIMITATA

MINOLTA garantisce che i mezzi su cui il Software è registrato sono privi di difetti nei materiali e nella fabbricazione secondo un normale uso. I dettagli della garanzia e le limitazioni per il Software sono descritti nella Dichiarazione di Garanzia Limitata che viene fornita insieme all'hardware. Con l'eccezione delle summenzionate garanzie espresse applicabili solamente all'hardware e ai mezzi, il Software non è garantito ma fornito "nello stato in cui trovasi".

TALI GARANZIE SONO IN LUOGO DI TUTTE LE ALTRE GARANZIE, ESPRESSE O IMPLICITE, INCLUSE, MA NON LIMITATE ALLE GARANZIE IMPLICITE DI COMMERCIALIZZABILITA' E DI IDONEITA' AD UNO SCOPO PARTICOLARE.

6. RESPONSABILITA' DELLA CONCEDENTE

IN NESSUN CASO MINOLTA SARA' RESPONSABILE PER QUALSIASI PERDITA DI PROFITTO, PERDITA DI RISPARMIO, O QUALSIASI DANNO ACCIDENTALE CHE RISULTI DALL'USO O DALL'INCAPACITA' D'USO DEL SOFTWARE, ANCHE SE MINOLTA O I SUOI CONCESSIONARI AUTORIZZATI SONO STATI AVVISATI DELLA POSSIBILITA' DI TALI DANNI O DI QUALSIASI RECLAMO DA PARTE DEL LICENZIATARIO BASATO SU UN RECLAMO DI TERZI.

7. RISOLUZIONE DEL CONTRATTO

Potete porre termine alla vostra licenza in qualsiasi momento distruggendo il Software e tutte le vostre copie, oppure come altrimenti descritto in questi termini.

Minolta può porre termine alla vostra licenza in caso mancate di rispettare questi termini.

Resta inteso che all'atto di tale termine, voi distruggerete tutte le vostre copie del Software.

8. FORO COMPETENTE

Il presente contratto verrà regolato dalle leggi del Paese in cui è stata effettuata la consegna al cliente originale.

9. UTENTI FINALI GOVERNATIVI

Se state acquistando il Software per conto di qualsiasi ente od agenzia del Governo degli Stati Uniti, si applicano i seguenti provvedimenti. L'uso, la duplicazione o la divulgazione da parte del Governo sono soggetti alle restrizioni stabilite nella clausola "Rights in Technical Data" e in "Computer Software" in FAR 252.227-7013, sottodivisione (b)(3)(ii) o sottoparagrafo (c)(1)(ii) rispettivamente. Ulteriore uso, duplicazione o divulgazione sono soggetti alle restrizioni applicabili ai limitati diritti di software stabiliti nel FAR 52.227-19(c)(2).

PRENDETE ATTO CHE AVETE LETTO IL PRESENTE ACCORDO, CHE LO AVETE COMPRESO, E CHE CONCORDATE DI ESSERE LEGATI DA QUESTI TERMINI E CONDIZIONI. NESSUNA DELLE PARTI SARA' LEGATA DA ALCUNA DICHIARAZIONE O RAPPRESENTAZIONE NON CONTENUTA NEL PRESENTE CONTRATTO. NESSUN CAMBIAMENTO NEL PRESENTE CONTRATTO SARA' EFFETTIVO A MENO CHE NON VENGA SOTTOSCRITTO DAI RAPPRESENTANTI PROPRIAMENTE AUTORIZZATI DA CIASCUNA PARTE. APRENDO IL PRESENTE PACCHETTO, CONCORDATE DI ACCETTARE I TERMINI DEL PRESENTE CONTRATTO.

10.5 Addresses MINOLTA-Partners in Europe

Austria

Minolta Austria GmbH, Amalienstrasse 59-61, 1131 Wien
01-878-82-0, Fax 01-878-82-271

Baltia

Minolta Baltia, Didzioji 11, 2001 Vilnius/Lithuania
02-222-029, Fax 02-223-060

Belgium

Minolta Business Equipment (Belgium) N.V./S.A.,
Zoning Keiberg, Excelsiorlaan 10/12, 1930 Zaventem
02/720.96.70 ext. 341, Fax 02/720.97.57

Bulgaria

Minolta Bulgaria o.o.d., Ulica Christo Georgiev 4, 1504 Sofia
02-943-35-22, Fax 02-943-32-07

Croatia

Minolta Zagreb d.o.o., Supilova 7, 10 000 Zagreb
01-611-6655, Fax 01-611-6656

Czechia

Minolta spol, s.r.o., Veverí 102, 659 10 Brno
05-41 558 511, Fax 05-41 212 681

Denmark

Minolta Danmark a/s, Valhøjs Allé 160, 2610 Rødovre
36 37 04 50 eller 36 37 04 52, e-mail: printer@minolta.dk

Finland

Renatus Oy, P.O. Box 93, 02201 Espoo
09-42061, Fax 09-4206 200

France

Minolta France Sa., Div. Equipement de Bureau, 365-367 Route de Saint
Germain, 78424 Carrieres Sur Seine Cedex
1-3086-6274, Fax 1-3086-6287

Germany

Minolta Germany, Minoltaring 11, 30855 Langenhagen
0 18 03 - 22 74 04 (Ortstarif), Fax 0 18 03 - 23 74 04 (Ortstarif)

Hungary

Minolta Magyarország KFT, Galvani u. 4, 1117 Budapest
01-206-22-44, Fax 01-206-1849

Iceland

Magnús Kjaran H.F., Sidumúli 14, 108 Island
00354/5/10 55 00, Fax 00354/5/10 55 09

Italy

Minolta Italia, Via Stephenson 37, 20157 Milano
02-39011-1, Fax 02-39011-219

Netherlands

Kopieersystemen Netherlands B.V., Schipholweg 343, 1171 PL
Badhoevedorp
020-6584222, Fax 020-6597436

Norway

Minolta Norway A.S, Nedre Rommen 3, 0988 Oslo,
22 78 98 00, Fax 22 78 98 50

Poland

Minolta Polska sp.zo.o., Ul. Nowolipie 7A, 00-146 Warszawa
02-311-488, Fax 02-635-37-56

Portugal

Minolta Portugal Lda., Av. do Brasil 33a, 1700 Lisboa
01-79300-16, Fax 01- 7969547

Romania

Minolta Romania SRL, Soseaua Oltenitei 35-37, etaj 8, Sector 4, 712 12
Bucuresti
0330-68-35, Fax 0330-70-02

Slovakia

Minolta Slovakia s r.o., Prievozska 18, 821 09 Bratislava
07-586-2555, Fax 07-586-2313

Slovenia

Minolta Slovenia d.o.o., Ptujška 19, 1000 Ljubljana
061-168-11-05, Fax 061-168-10-28

Spain

Minolta Business Equipment Spain S.A., Paseo de la Castellana 254,
28046 Madrid
91- 7337811, Fax 91-7332262

Sweden

Minolta Business Equipment Ab, Albygatan 114, 17109 Solna
08-627 75 00, Fax 08-627 76 07

Switzerland

Messerli Informationstechnik Océ (Schweiz) AG, Sägereistrasse 29, 8152
Glattbrugg
01/829 14 14, Fax 01/829 14 11

United Kingdom

Minolta U.K. BEO, Rooksley Park, Precedent Drive /Rooksley, Milton
Keynes MK 13 8Hf
0345-211-211, Fax 01908-200-379

Ukraina

Minolta Ukraina, Bulvar Lesi Ukrainki 26, 252 133 Kiev 133/Ukraine
044-296-65-66, Fax 044-295-00-70

Yugoslavia

Minolta d.o.o. Beograd, Blagoja Parovica 21, 11 000 Beograd
011-550-997, Fax 011-544-982

Zagreb

Minolta Zagreb d.o.o., Supilova 7, 41000 Zagreb
01-611-6655, Fax 01-611-6656

10.6 MINOLTA GUARANTEE CERTIFICATE

1. DEFINITIONS

„MINOLTA“:

MINOLTA GmbH Registered Office

„the Unit“:

the MINOLTA product for which this Users's Manual is valid

„the Software“:

MINOLTA unit driver Software. In the case that software supplied by other manufacturers is added to or purchased with the MINOLTA unit, only the terms of guarantee by those original manufacturers are valid

„the Unit Guarantee Period“:

One year commencing the date of purchase of the Unit

„the Software Guarantee Period“:

Ninety (90) days commencing the date of purchase of the Software

„the Operating Instructions“:

Those instructions contained in the manuals supplied with both the Unit and the Software

„Valid Receipt“:

a receipt indicating the date of purchase, the location of purchase, the purchase price, the MINOLTA dealers's address, the Unit and/or Software type and serial number

2. SCOPE OF GUARANTEE

2.1. UNIT

Subject to Clause 2.3 this Guarantee covers all material and production faults in the Unit which are notified by the purchaser to MINOLTA within the Unit Guarantee Period

2.2. SOFTWARE

Subject to Clause 2.3 this Guarantee covers all faults with the Software which are notified by the purchaser to MINOLTA within the Software Guarantee Period

2.3. EXCLUSIONS

This Guarantee does not cover damage to Units and Software resulting from, but not limited, to the following:

- a) dropping, impact, sand, moisture, misuse, unauthorized interference of third parties, chemical corrosion, non-observance of the Operating Instructions, damage in transit or force majeure;
- b) the use of accessories, units or material not produced, distributed licenced or authorised by MINOLTA; and
- c) repairs or alterations carried out by any workshop not authorised by MINOLTA

This Guarantee does not cover damage to Software resulting from the purchaser's failure to install the Software in accordance with the Installation Instructions on a computer suitable for the intended purpose

3. REPAIR AND REPLACEMENT

3.1. UNIT

During the Unit Guarantee Period MINOLTA will either repair or replace faulty Units falling within Clause 2.1. MINOLTA will inform the purchaser as to the choice of remedy within a reasonable time of inspecting the faulty Unit

3.2. SOFTWARE

During the Software Guarantee Period MINOLTA will replace faulty Software falling within Clause 2.2 within a reasonable time of inspecting the faulty Software

3.3 FAILURE

Should MINOLTA fail to repair or replace the faulty Unit or faulty Software within the time limit specified in Clauses 3.1 and 3.2 the purchaser shall be entitled to claim a refund of the purchase price once the purchaser returns the faulty Unit or Software to MINOLTA

4. VALIDITY OF GUARANTEE

This Guarantee is only valid for all new Units and new Software purchased from an authorised MINOLTA dealer

5. CLAIMS UNDER GUARANTEE

If a purchaser wishes to make a claim under this Guarantee he/she must present a Valid Receipt relating to the faulty Unit or faulty Software

MINOLTA reserves the right to verify the validity of the receipt

6. REIMBURSEMENT OF COSTS

If Units or Software presented to MINOLTA for repair or replacement show either no fault symptoms or fault symptoms resulting from any matter referred to in Clause 2.3 any costs incurred by MINOLTA are to be borne by the purchaser

7. CONSEQUENTIAL LOSS

MINOLTA shall not be liable for any consequential or indirect loss suffered by the purchaser whether this loss arises from breach of duty in contract or tort in any other way (including loss arising from MINOLTA's negligence). Non-exhaustive illustrations of consequential or indirect loss would be:

- a) loss of profit;
- b) loss of contracts;
- c) damage to property of the purchaser or anyone else;
- d) data loss; and
- e) personal injury to the purchaser or anyone else (but only so far as such injury is not caused by MINOLTA's negligence).

8. STATUTORY RIGHTS

This Guarantee does not affect the purchaser's statutory rights.

11 Glossary

The following definitions apply specifically to your Minolta printer.

application

A software program that performs a particular function, such as generating graphics or spreadsheets.

ASCII

Acronym for American Standard Code for Information Interchange.

base weight

SEE paper basis weight.

bitmap

A text character or graphic image that is defined by a pattern of dots.

click

To press and release a mouse button quickly. Often used to select an object. SEE double-click.

control panel

A bank of indicators that show the current status of the printer. Panel buttons that are located on the control panel make it possible to perform a variety of different operations.

default

Settings that are preset in the absence of user-specified settings.

dialog box

A box that appears in order for the user to input information or settings required for the printer to operate.

display

What appears upon the screen of the computer.

dpi

Acronym for dots per inch. Refers to the resolution that the printer can produce through the measure of dots printed per inch.

double-click

Pressing a mouse button twice in quick succession while keeping the mouse in place. Often used to open a dialog or enable a function. SEE click.

duplex unit (option)

An option that can be installed onto your printer in order to generate double-sided, or duplex documents.

Ethernet interface connector (10/100BaseT or 10Base2) (option)

This port is used to connect the printer to an Ethernet.

face down tray

This tray receives the printed documents, face down, as they are output from the printer. The tray can hold up to 100 sheets of paper.

500-sheet second cassette (option)

SEE Tray 2.

500-sheet third cassette (option)

SEE Tray 3.

fusing unit

A part of the printer that fixes the toner image onto the paper.

gray scale

A series of shades ranging from black to white used to add detail to photo or scanned images, etc.

halftone

A printing technique using a pattern of dots to compose an image. Also known as dithering.

icon

A graphic image on the screen that represents an element.

image transfer roller

The part inside a page printer that transfers the image from the photoconductive drum to the paper.

imaging cartridge

Contains the toner that is used to print the document.

laser printer

A high-resolution peripheral used to print text and graphics onto paper or other media. A rotating disk is used to reflect laser beams onto a photosensitive drum; the image of the page is then transferred via electrostatic charged toner. The final image is fused onto a piece of charged paper using heat as it is rolled against the drum, setting the toner onto the paper (or other media).

manual feed tray

Used to feed paper and envelopes into the printer manually.

N-up printing

A series of printer settings that produces multiple, reduced documents on one sheet of paper.

Network Interface Card (NIC) (option)

Facilitates the network connection of the printer.

off line

A state in which the printer cannot receive data or perform any other operation.

on line

A state in which the printer can receive data and operate.

operating system

A program or group of programs that control the functions of the computer and its peripheral devices such as the printer.

paper basis weight

The standard for specifying paper weight. The metric standard, applicable to all grades of paper is gm/m².

paper size guide(s)

Three adjustable holders that secure paper in the paper tray from the left, right and front.

paper transport roller

A rolling mechanism that carries the paper through the various functions of the printer during the printing process.

parallel interface

An output/input port utilizing multiple data circuitry.

parallel interface connector

A connector that enables the transfer of data between the printer and the computer.

peripheral device

Any device that can be attached to the computer, such as a printer.

PostScript

Developed by Adobe Systems, PostScript is one of the most well known page description languages.

PostScript fonts

Precise, high-quality fonts that are engineered to be printed using a PostScript-compatible computer.

power cord socket

Connects the power cord and the printer.

power switch

Turns power to the printer on and off.

printer

A peripheral device that outputs data from a computer onto paper or other media.

printer driver

A software file that manages commands to the printer.

Print Manager

An application that manages the print queue and the print file.

output tray

SEE face down tray.

RAM

Acronym for random-access memory.

resolution

SEE dpi.

ROM

Acronym for read only memory.

screen font

A typeface that can be displayed on the computer's monitor.

second paper cassette unit (option)

An available option for your printer that expands printing capacity.

A tray unit that feeds an additional 500 sheets of paper to the printer.

SIMM

Acronym for single in-line memory module.

third paper cassette unit (option)

An available option for your printer that expands printing capacity.

A tray unit that feeds an additional 500 sheets of paper to the printer.

toner

Ink in the form of a plastic powder that is contained in a cartridge.

top cover

A cover attached to the printer that swings open by pressing a release button. Opening the cover provides easy access to the interior of the printer to perform basic maintenance procedures including the installation and replacement of the imaging cartridge as well as clearing paper misfeeds.

top cover release button

This button releases the hinge that locks the cover of the printer. SEE top cover.

Tray 1

A tray that can hold up to 150 sheets of paper for feeding into the printer.

Tray 2 (option)

Five types of optional Tray 2 cassettes can be installed into the second paper cassette unit (SEE second paper cassette unit). Each cassette can hold up to 500 sheets of one of the following paper sizes: A4, JIS B5, Legal, Letter and Executive.

Tray 3 (option)

Five types of optional Tray 3 cassettes can be installed into the third paper cassette unit (SEE third paper cassette unit). Each cassette can hold up to 500 sheets of one of the following paper sizes: A4, JIS B5, Legal, Letter and Executive.

typeface

Refers to the design of a font.

watermark

A superimposed line of text or graphic upon a printed document.

12 Index

A

About	5-38
Accessing the Printer Control Panel	5-47
Adobe PostScript ROM-SIMM	3-27

C

Cassette cover	2-1
Change Hot Key Command (Setup Menu)	5-57
Change Popup Message Command (Setup Menu)	5-57
Cleaning the Outside of the Printer	7-6
Cleaning the Paper Transport Roller	7-7
Cleaning the Printer	7-6
Clearing a Paper Misfeed	8-1
Inside the Printer	8-1
Paper Input Misfeed (from Manual Feed Tray)	8-5
Paper Input Misfeed (from Second/Third Paper Cassette Unit)	8-5
Paper Input Misfeed (from Tray 1)	8-4
Paper Output Misfeed	8-4
Close (button)	5-57
Common Buttons	5-23, 5-40, 5-49, 6-3
Configuration	6-9
Configuration Screen	5-54
Connecting the Power Cord	3-9
Connecting to a Computer	3-15
Control panel	2-1, 2-4
Control Panel Button	2-6
Counter	6-8
Counter Screen	5-53

D

Device Option	5-38
Displaying the Driver Setup Dialog (Windows 3.1)	5-39
Displaying the Driver Setup Dialog (Windows 95/98/NT 4.0)	5-19
DOS Printing Utilities	5-45
Duplex Printing	4-14
Duplex Unit	3-20, 9-3

F

Face-Down Tray	2-1, 3-7
Features	2-1

Font Selection Screen	5-51
Fusing unit	2-2

G

Getting Around in the Printer Control Panel	5-48
Grounding	3-2

H

Help (button)	5-57
---------------------	------

I

Image transfer roller	2-2
Imaging cartridge	2-2
Indicator Lights	2-4
Installation Precautions	3-1
Installing the Face-Down Tray	3-7
Installing the Printer Driver Under DOS	5-45
Installing the Printer Driver Under Windows 3.1	5-15
Installing the Printer Driver Under Windows 95/98	5-2
Installing the Printer Driver Under Windows NT 4.0	5-8
Installing Tray 1	3-8
Interface Connector and Cable	9-4

L

Loading and Unloading the Status Display	5-45
Loading Paper	3-10, 4-4
Loading Paper onto Tray 1	4-5
Loading Paper onto Tray 2/Tray 3	4-7

M

Manual feed tray	2-1
Manual Paper Feed	4-10

N

Network Interface Card (NIC)	3-31
No output	8-10

O

On-line Help	6-2
Opening the Printer Status Display	6-1
Operating Environment	3-4
Operational Precautions	3-4
Options	3-16
Output Quality Screen	5-52

P

Page Layout	5-29
Paper	4-1, 5-24, 6-4
Size	4-2
Type	4-1
Paper Misfeed in the Duplex Unit	8-6
Paper Screen	5-49
Paper size guide	2-2
Parallel interface connector	2-2
Power cord socket	2-2
Power Source	3-2
Power switch	2-2
Print Quality Problems	8-7
Printer	3-4
Printer Control Panel Screens	5-49
Printer Parts and Accessories	2-1
Printer Setting	6-6
Printer Setting Screen	5-55
Printer Supplies	3-6
Printing on Envelopes	4-12

Q

Quality	5-34
---------------	------

R

Replacing the Imaging Cartridge	7-1
---------------------------------------	-----

S

Second Paper Cassette Unit	2-1, 9-2
Second/Third Paper Cassette Unit	3-23
Selecting a Location for the Printer	3-1
Set Display Mode Command (Setup Menu)	5-57
Settings	5-41
Setting-up	3-7
SIMM	3-16, 9-4
Space Requirements	3-3
Specifications	
Duplex Unit (Option)	9-3
Interface Connector and Cable	9-4
PagePro 18 Printer	9-1
Second Paper Cassette Unit (Option)	9-2
SIMM (Option)	9-4
Third Paper Cassette Unit (Option)	9-3
Status Display Screen	5-57
Switching Between the Expanded and Reduced Views	6-2

System Requirements 5-1

T

Test Print 6-7
 Testing the Printer 3-13
 Third Paper Cassette Unit 2-1, 9-3
 To Access the Printer Control Panel 5-47
 To Close the Printer Status Display 6-1
 To Display the Driver Setup Dialog Under Windows 95/98 5-19
 To Display the Driver Setup Dialog Under Windows NT 4.0 5-21
 To Display the Status Display 5-56
 To Exit the Printer Control Panel 5-47
 To Install the Printer Driver 5-15
 To Install the Printer Driver Using the Installer (Auto Run) 5-2, 5-8
 To Load the Status Display From the DOS Prompt 5-46
 To Open the Printer Status Display 6-1
 To Print a Test Page or Demo Page 5-48
 To Register Installed Options 5-48
 To Remove the Status Display From Memory 5-46
 To Replace the Imaging Cartridge 7-2
 To Uninstall the Printer Driver 5-5, 5-13, 5-17
 Top cover 2-2
 Top cover release button 2-2
 Tray 1 (multipurpose tray) 2-2
 Tray 2 (500-sheet second cassette) 2-1
 Tray 3 (500-sheet third cassette) 2-1
 Tray cover 2-1
 Turning On the Printer 3-12

U

Using the Control Panel 6-3
 Using the Printer Control Panel 5-48
 Using the Printer Driver Under Windows 3.1 5-40
 Using the Printer Driver Under Windows 95/98/NT 4.0 5-23
 Using the Printer Status Display 6-1, 6-2
 Using the Status Display 5-56



We do good service...



Often you can find the quickest solution to a problem or malfunction in the User Kit. Please refer to the chapters Troubleshooting.



From our internet website (<http://www.service.minolta.de>) you can get the latest printer driver updates and answers to various questions.



Minolta's hotline (see chapter General Information) supports you with the solution to many problems.



Your technical representative will help you as well.

Please note the date of purchase (📅), the telephone hotline (☎) and the serial number (#) on the sticker. In order to benefit from a quick and efficient support, you should always keep the sticker at hand, e.g. at the printerframe.

